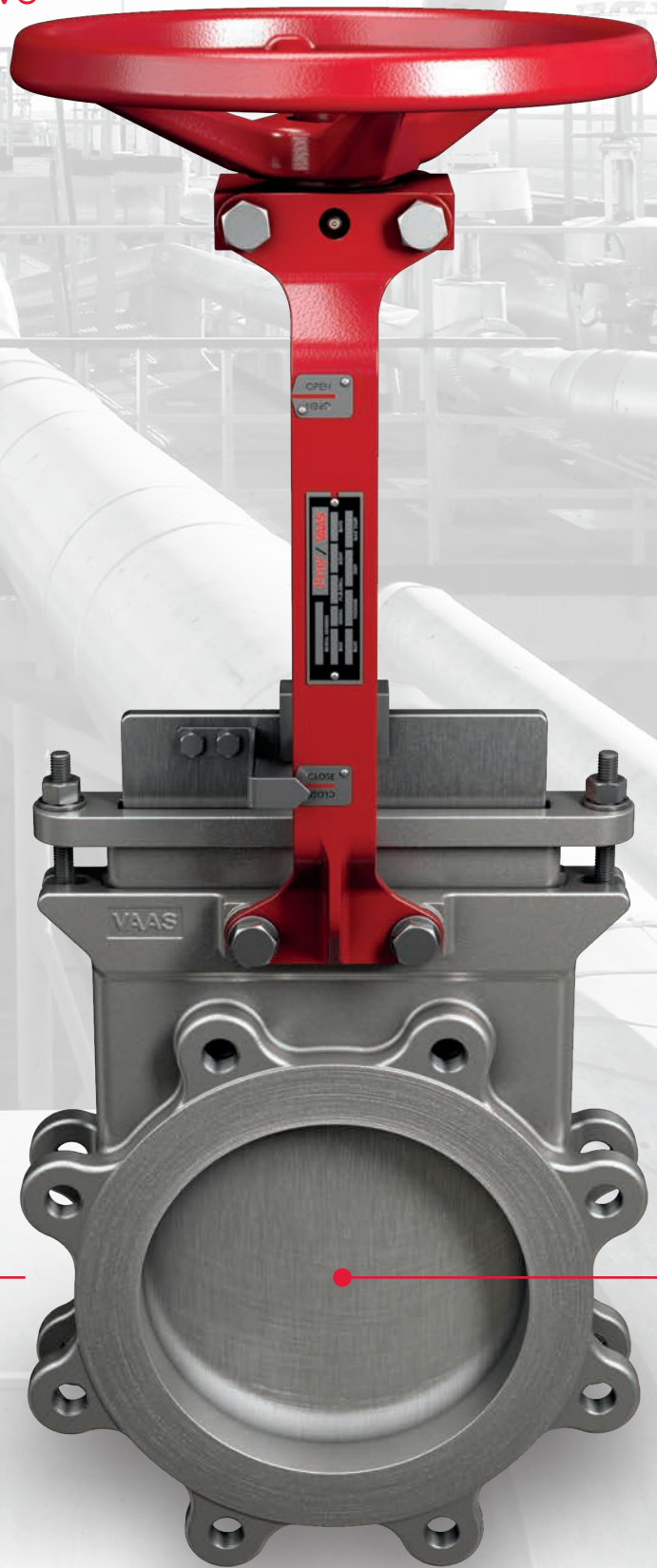


Series 740

Bidirectional Knife Gate Valve



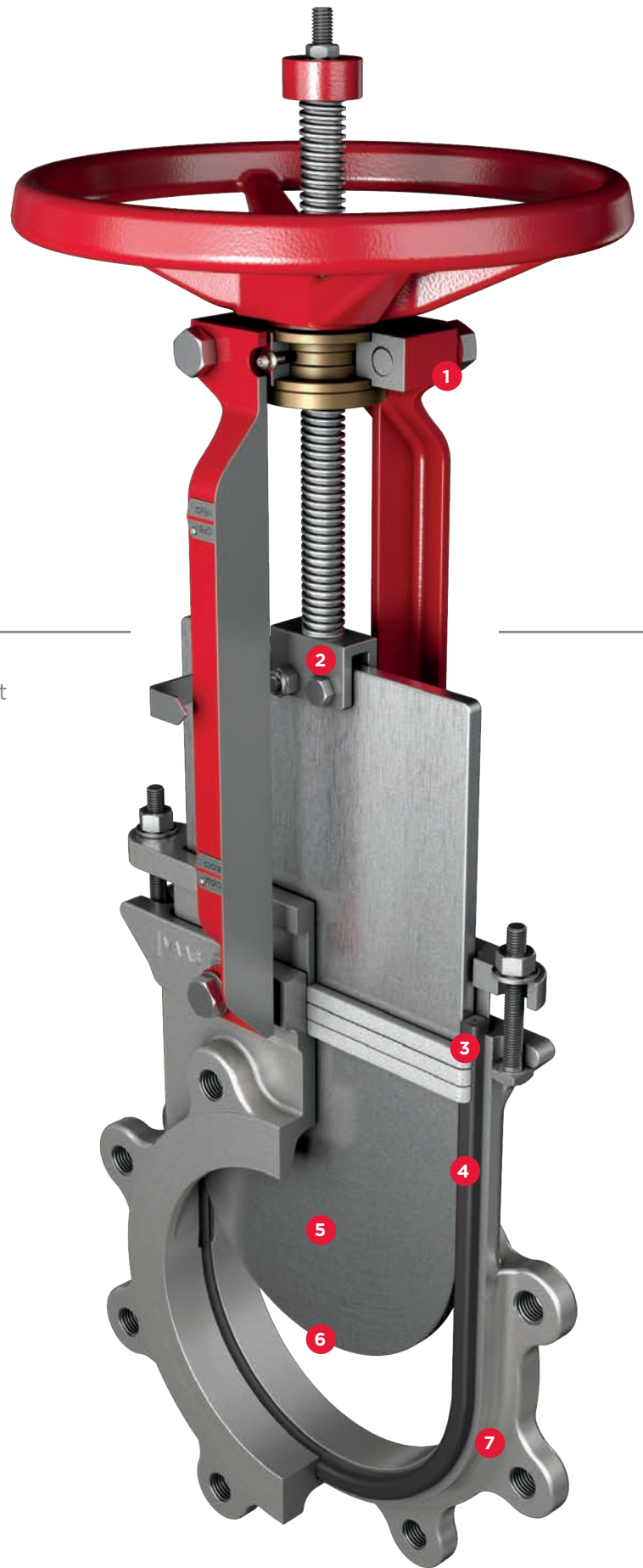
Bray / VAASTM

Series 740

Bidirectional Knife Gate Valve

The Bray/VAAS Series 740 provides repeatable bidirectional shutoff in a rugged, single piece cast body.

Featuring a replaceable wire reinforced elastomer perimeter seal to ensure repeatable Class VI bidirectional zero leakage shutoff.



- 1** Adaptable top works with removable stem nut for quick conversion between manual or pneumatic actuation. Features lubricant injection port promoting continuous, smooth operation and easy maintenance.
- 2** Clevis design and horizontal bolting ensures gate alignment.
- 3** Multi-layer square packing provides exceptional gland sealing.
- 4** Replaceable wire reinforced elastomer perimeter seal provides bidirectional zero leakage shutoff.
- 5** Full port design provides unrestricted flow path, minimizing pressure drop across the valve.
- 6** Gate sized to prevent deflection during pressure excursions up to 1.2x CWP.
- 7** Lugged body suitable for all mounting orientations including end-of-line locations.



Standard Construction

Body	Gate	Seat	Stem	Gland	Packing	Topworks
CF8 (304)	304	Nitrile	304	CS	PTFE	Steel
CF8M (316)	316	Nitrile	304	CS	PTFE	Steel
WCB	304	Nitrile	304	CS	PTFE	Steel

Other Material Options: Body: WCB, LCC, CF3M (316L), CG8M (317), 4A (2205), 5A (2507), CN7M (Alloy 20), CD4MCu. Gate: 317, 2507, 17-4 PH, Hastelloy®, Monel®, Titanium. Seat: EPDM, Buna-N (Nitrile), FKM (Viton®). Stem: SS 316. Gland: 4A (2205), 5A (2507), CN7M (Alloy 20), CD4MCu. Packing: Buna-N (Nitrile), FKM (Viton®). Topworks: SS 304, SS 316. Any other special materials not listed above can be supplied upon request.

Seat Options

Nitrile	90°C/194°F
EPDM	120°C/248°F
Viton®	200°C/392°F

Packing Options

PTFE	232°C/450°F
Elastomer	Nitrile: 90°C/194°F
Quad Seal	Viton®: 200°C/392°F



Actuator Options

Handwheel
Bevel Gear
Pneumatic
Hydraulic
Electric

Specifications & Standards

Size Range	2" to 36" (50 - 900mm)
Pressure Rating	Up to 24" (600mm) 150psi (10bar) 30"-36" (750-900mm) 100psi (7bar)
Body Style	Single piece, wafer, lug

Design	MSS SP-81
Testing	MSS SP-81
Face-to-face	MSS SP-81
Certification	CE/PED, Canadian CRN
Drilling	ASME B16.5 CL150, ASME B16.47 CL150

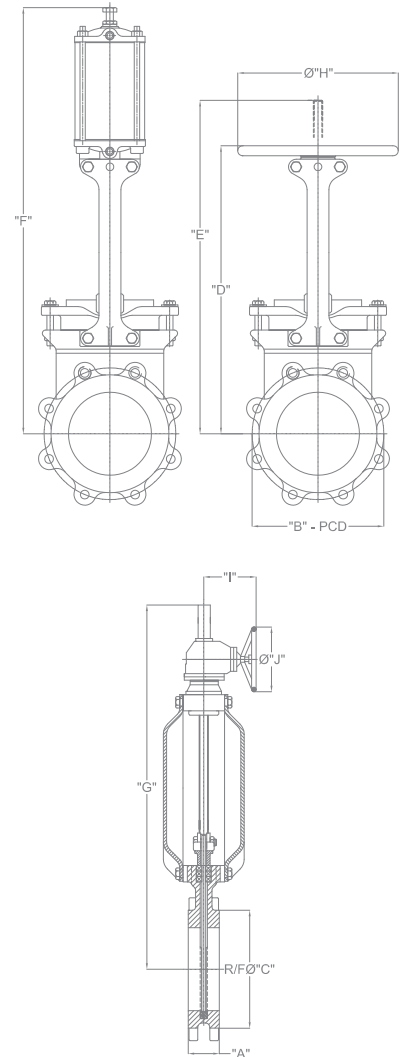
Dimensions

In. (mm)	A	B	R/FØC	D	E	F	G	ØH	I	J
2 (50)	1.88 (48)	4.75 (121)	3.62 (92)	13.78 (350)	14.96 (380)	19.88 (505)	--	10.00 (254)	--	--
3 (80)	2.00 (51)	6.00 (153)	5.00 (127)	16.34 (415)	19.49 (495)	23.42 (595)	--	10.00 (254)	--	--
4 (100)	2.00 (51)	7.50 (191)	6.18 (157)	18.31 (465)	21.26 (540)	25.98 (660)	--	10.00 (254)	--	--
5 (125)	2.25 (57)	8.50 (216)	7.32 (186)	20.07 (510)	23.81 (605)	29.92 (760)	--	12.00 (305)	--	--
6 (150)	2.25 (57)	9.50 (242)	8.50 (216)	22.05 (560)	27.36 (695)	32.28 (820)	27.36 (695)	12.00 (305)	9.68 (246)	19.68 (500)
8 (200)	2.75 (70)	11.75 (299)	10.63 (270)	25.59 (650)	33.27 (845)	39.17 (995)	34.25 (870)	15.98 (406)	9.68 (246)	19.68 (500)
10 (250)	2.75 (70)	14.25 (362)	12.76 (324)	28.66 (728)	39.37 (1000)	44.48 (1130)	44.68 (1135)	15.98 (406)	9.68 (246)	19.68 (500)
12 (300)	3.00 (76)	17.00 (432)	14.76 (375)	33.46 (850)	46.46 (1160)	51.37 (1305)	50.78 (1290)	20.00 (508)	9.68 (246)	19.68 (500)
14 (350)	3.00 (76)	18.75 (476)	16.26 (413)	37.60 (955)	53.16 (1350)	58.66 (1490)	54.72 (1390)	20.00 (508)	9.68 (246)	19.68 (500)
16 (400)	3.50 (89)	21.25 (540)	18.50 (470)	41.34 (1050)	58.27 (1480)	61.02 (1550)	59.44 (1510)	20.00 (508)	9.68 (246)	19.68 (500)
18 (450)	3.50 (89)	22.75 (578)	21.00 (534)	45.67 (1160)	63.76 (1620)	68.11 (1730)	66.92 (1700)	20.00 (508)	10.47 (266)	19.68 (500)
20 (500)	4.50 (114)	25.00 (635)	22.99 (584)	50.39 (1280)	70.47 (1790)	76.57 (1945)	72.83 (1850)	20.00 (508)	10.47 (266)	19.68 (500)
24 (600)	4.50 (114)	29.50 (750)	27.24 (692)	58.46 (1485)	83.66 (2125)	79.92 (2030)	86.61 (2200)	20.00 (508)	10.47 (266)	19.68 (500)

Dimensions given above are indicative. Please request certified drawings for piping layout.

Weights

Size (In.)	2	3	4	6	8	10	12	14	16	18	20	24
Weight (lbs)	22	31	35	55	79	137	181	251	353	441	617	829
Size (mm)	50	80	100	150	200	250	300	350	400	450	500	600
Weight (kgs)	10	14	16	25	36	62	82	114	160	200	280	376



Global Manufacturing, Service Around the Corner.

To serve you locally, each region maintains a factory certified sales and service network for all Bray International products. With over 70 offices worldwide, your Bray Flow Control Partner is always around the corner. Contact us today at bray.com



Bray World Headquarters
Houston, TX - USA



Bray India



Bray Chile



Bray Brazil

BRAY/VAAS USA | A Division of Bray Sales, Inc.

13333 Westland East Blvd. | Houston, TX 77041 | 281.894.5454 | www.bray.com

All statements, technical information, and recommendations in this bulletin are for general use only. Consult Bray/VAAS representatives or factory for the specific requirements and material selection for your intended application. The right to change or modify product design or product without prior notice is reserved. Patents issued and applied for worldwide.
Bray® is a registered trademark of BRAY INTERNATIONAL, Inc. © 2015 Bray International. All rights reserved.

V-6000_EL_740_10-2015