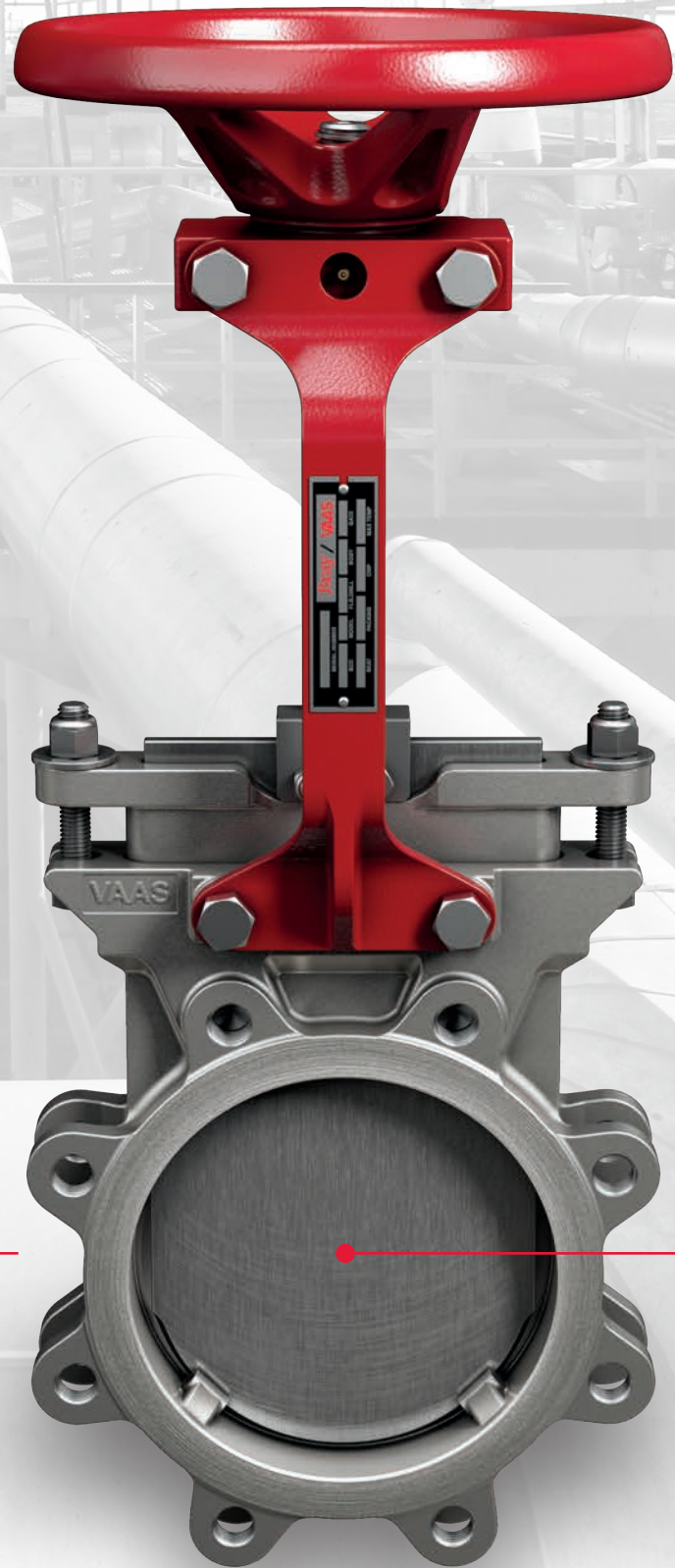


# Series 941

Unidirectional Knife Gate Valve



**Bray / VAAS**<sup>TM</sup>

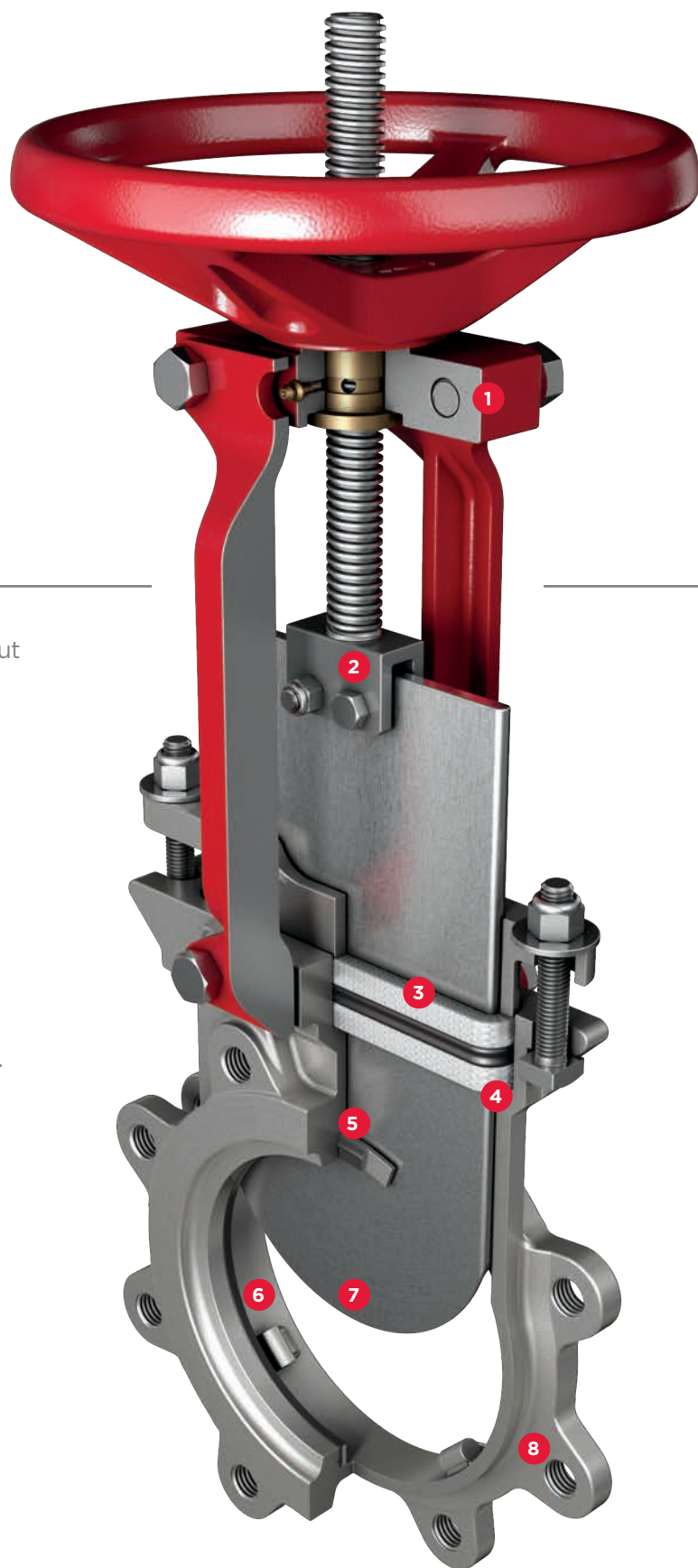
# Series 941

## Unidirectional Knife Gate Valve

The Bray/VAAS Series 941's single piece, cast body design offers rugged performance in applications ranging from general purpose to severe media handling.

Available with metal or soft seating, the Bray/VAAS Series 941 gate valve caters to all types of unidirectional sealing requirements across a wide range of industries.

- 1** Adaptable top works with removable stem nut for quick conversion between manual or pneumatic actuation. Features lubricant injection port promoting continuous, smooth operation and easy maintenance.
- 2** Clevis design and horizontal bolting ensures gate alignment.
- 3** Multi-layer quad packing provides exceptional gland sealing.
- 4** Rounded gate edge and packing chamber extend packing life providing a superior seal.
- 5** Replaceable metal and resilient seat options (metal seat: Class IV leakage, resilient seat: Class VI leakage).
- 6** Self-draining body design with no dead pockets.
- 7** Gate sized to prevent deflection during pressure excursions up to 1.2x CWP.
- 8** Lugged body suitable for all mounting orientations including end-of-line locations.



## Standard Construction

Body	Gate	Seat	Stem	Gland	Packing	Topworks
CF8 (304)	304	Integral	304	CS	Quad	Steel
CF8M (316)	316	Integral	304	CS	Quad	Steel
WCB	304	Integral	304	CS	Quad	Steel

Other Material Options: Body: WCB, LCC, CF3M (316L), CG8M (317), 4A (2205), 5A (2507), CN7M (Alloy 20), CD4MCu. Gate: 317, 2507, 17-4 PH, Hastelloy®, Monel®, Titanium. Seat: Integral metal (same as body) and soft seats in EPDM, Buna-N (Nitrile), FKM (Viton®), PTFE. Stem: SS 316. Gland: 4A (2205), 5A (2507), CN7M (Alloy 20), CD4MCu. Packing: Buna-N (Nitrile), FKM (Viton®), Graphite, Copper Wiper. Topworks: SS 304, SS 316. Any other special materials not listed above can be supplied upon request.

## Seat Options

Metal	Integral
Nitrile	90°C/194°F
EPDM	120°C/248°F
Viton®	200°C/392°F
PTFE	232°C/450°F

## Packing Options

PTFE	232°C/450°F
Elastomer	Nitrile: 90°C/194°F
Quad Seal	Viton®: 200°C/392°F
Copper Wiper	500°C/932°F
Graphite	1000°C/1832°F



## Actuator Options

Handwheel
Bevel Gear
Pneumatic
Hydraulic
Electric

## Specifications & Standards

Size Range	2" to 36" (50 - 900mm)
Pressure Rating	Up to 24" (600mm) 150psi (10bar) 30"-36" (750-900mm) 100psi (7bar)
Body Style	Single piece, wafer, lug

Design	MSS SP-81
Testing	MSS SP-81
Face-to-face	MSS SP-81
Certification	CE/PED, Canadian CRN
Drilling	ASME B16.5 CL150, ASME B16.47 CL150

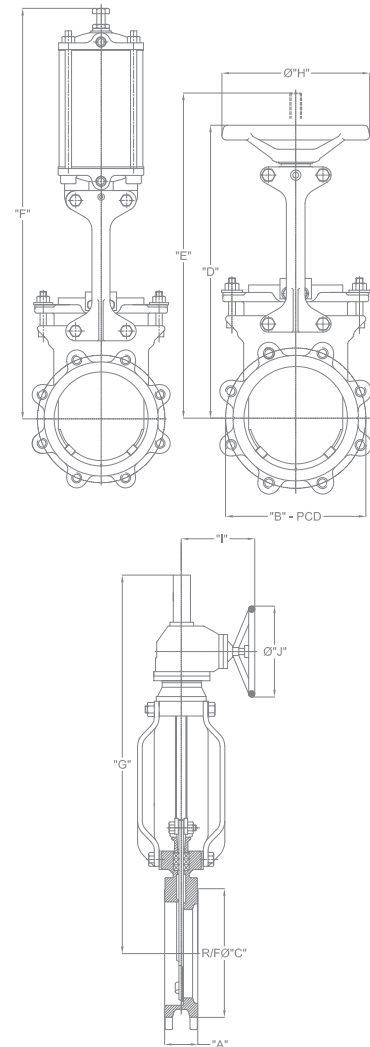
## Dimensions

In. (mm)	A	B-PCD	R/FØC	D	E	F	G	ØH	I	ØJ
2 (50)	1.88 (48)	4.75 (121)	3.62 (92)	12.99 (330)	14.17 (360)	18.11 (460)	--	7.99 (203)	--	--
2.5 (65)	2.00 (51)	5.50 (140)	4.65 (118)	15.55 (395)	17.72 (450)	23.03 (585)	--	7.99 (203)	--	--
3 (80)	2.00 (51)	6.00 (153)	5.00 (127)	15.55 (395)	17.72 (450)	23.03 (585)	--	7.99 (203)	--	--
4 (100)	2.00 (51)	7.50 (191)	6.18 (157)	17.52 (445)	20.67 (525)	25.59 (650)	--	7.99 (203)	--	--
5 (125)	2.25 (57)	8.50 (216)	7.32 (186)	18.70 (475)	23.62 (600)	28.54 (725)	--	10.00 (254)	--	--
6 (150)	2.25 (57)	9.50 (242)	8.50 (216)	22.25 (565)	25.98 (660)	31.88 (810)	--	10.00 (254)	--	--
8 (200)	2.75 (70)	11.75 (299)	10.63 (270)	25.00 (635)	31.89 (810)	38.97 (990)	38.77 (985)	11.75 (299)	9.68 (246)	19.68 (500)
10 (250)	2.75 (70)	14.25 (362)	12.76 (324)	27.56 (700)	37.40 (950)	44.48 (1130)	45.27 (1150)	15.98 (406)	9.68 (246)	19.68 (500)
12 (300)	3.00 (76)	17.00 (432)	14.76 (375)	30.51 (775)	42.72 (1085)	51.37 (1305)	52.16 (1325)	15.98 (406)	9.68 (246)	19.68 (500)
14 (350)	3.00 (76)	18.75 (476)	16.26 (413)	32.68 (830)	47.05 (1195)	54.72 (1390)	57.08 (1450)	20.00 (508)	9.68 (246)	19.68 (500)
16 (400)	3.50 (89)	21.25 (540)	18.50 (470)	36.81 (935)	52.17 (1325)	59.84 (1520)	62.99 (1600)	20.00 (508)	9.68 (246)	19.68 (500)
18 (450)	3.50 (89)	22.75 (578)	21.00 (534)	41.34 (1050)	59.25 (1505)	67.12 (1705)	68.89 (1750)	20.00 (508)	10.47 (266)	19.68 (500)
20 (500)	4.50 (114)	25.00 (635)	22.99 (584)	46.06 (1170)	65.35 (1660)	73.22 (1860)	75.78 (1925)	20.00 (508)	10.47 (266)	19.68 (500)
24 (600)	4.50 (114)	29.50 (750)	27.24 (692)	53.54 (1360)	77.17 (1960)	86.22 (2190)	82.67 (2100)	20.00 (508)	10.47 (266)	19.68 (500)

Dimensions given above are indicative. Please request certified drawings for piping layout.

## Weights

Size (In.)	2	3	4	5	6	8	10	12	14	16	18	20	24
Weight (lbs)	20	29	36	47	53	84	137	183	221	313	386	629	794
Size (mm)	50	80	100	125	150	200	250	300	350	400	450	500	600
Weight (kgs)	9	13	16	21	24	38	62	83	100	142	175	285	360



## Global Manufacturing, Service Around the Corner.

To serve you locally, each region maintains a factory certified sales and service network for all Bray International products. With over 70 offices worldwide, your Bray Flow Control Partner is always around the corner. Contact us today at [bray.com](http://bray.com)



**Bray World Headquarters**  
Houston, TX - USA



**Bray India**



**Bray Chile**



**Bray Brazil**

**BRAY/VAAS USA | A Division of Bray Sales, Inc.**

13333 Westland East Blvd. | Houston, TX 77041 | 281.894.5454 | [www.bray.com](http://www.bray.com)

All statements, technical information, and recommendations in this bulletin are for general use only. Consult Bray/VAAS representatives or factory for the specific requirements and material selection for your intended application. The right to change or modify product design or product without prior notice is reserved. Patents issued and applied for worldwide.  
Bray® is a registered trademark of BRAY INTERNATIONAL, Inc. © 2015 Bray International. All rights reserved.

V-6006\_EL\_941\_10-2015