

# INDUSTRIAL GRADE CYLINDER

PRODUCT DESIGN SPECIFICATIONS

# **HOLDFAST**

HYDRAULIC & INDUSTRIAL SOLUTIONS

WWW.HOLDFASTAUST.COM.AU



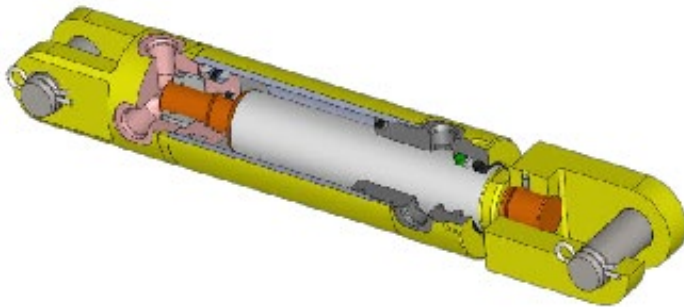
INDUSTRIAL CYLINDERS

# INDUSTRIAL GRADE CYLINDER

## PRODUCT DESIGN SPECIFICATIONS

Seals Maximum Operating Pressure and Conditions:

- Pressures: 414 Bar - 6000 PSI
- Temperature: -30 °C to +110 °C
- Speed: 0.5 Meters per second
- Shock and load holding capacity
- Double acting K-DAS piston seal providing positive displacement under all rated pressure situations
- Working Pressure: 210 Bar - 3045 PSI
- Cylinder Test Pressure: 315 Bar - 4658 PSI
- Double Acting with Fork Clevis Ends With 4 Ports in cylinder for easy access



Rod Material & Hardening:

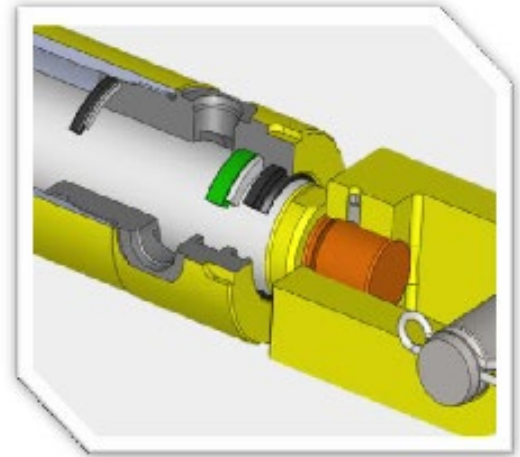
- EN8D/C45 round bar
- Toughened and Induction Hardened
- Chrome Thickness: 20 to 30 Microns hard chromed piston rod for superior corrosion resistance

Tube Material:

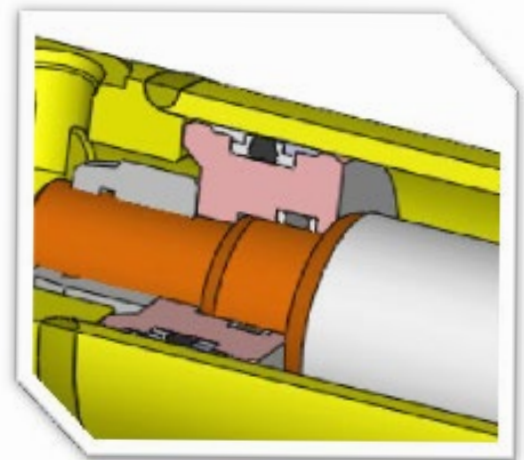
- CDS ST52/E355 steel tube
- Seamless steel tube accurately honed to ensure smooth operation and extended seal life

Gland Material:

- SG IRON SG500/7 Spheroidal Graphite Cast Iron, tensile strength - 500 N/mm<sup>2</sup>



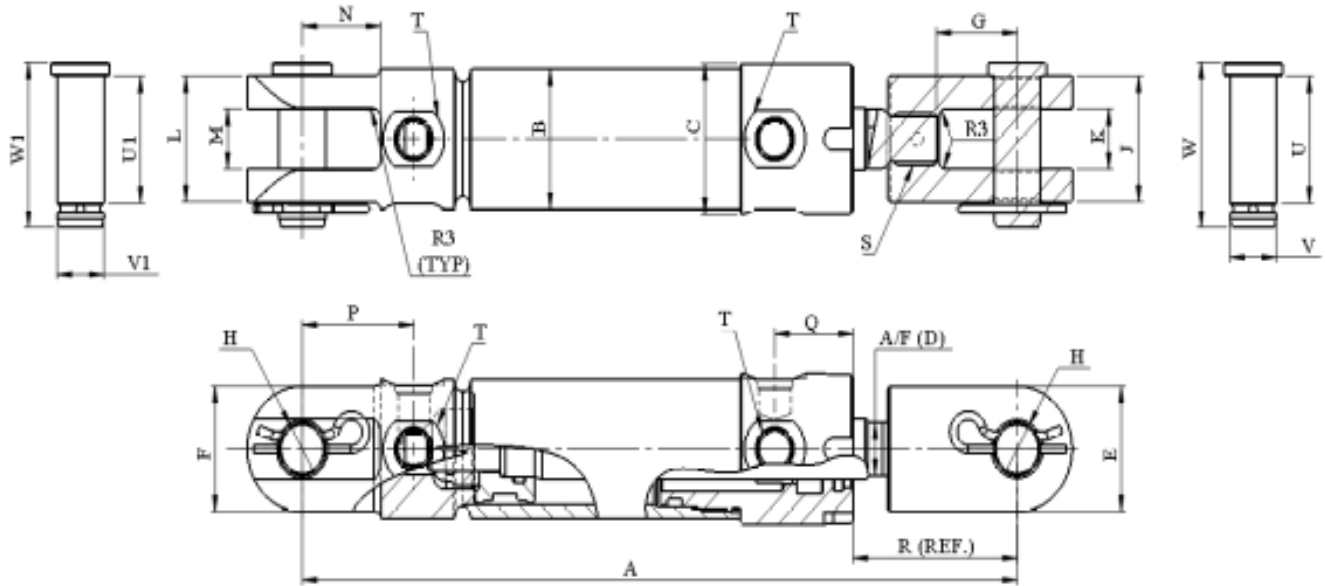
INDUSTRIAL CYLINDER  
**SEAL ARRANGEMENT ROD END SIDE**



INDUSTRIAL CYLINDER  
**SEAL ARRANGEMENT CAP END SIDE**

COLOURS:





BORE MM	ROD MM	B MM	C MM	D MM	E MM	F MM	G MM	H MM	J MM	K MM	L MM	M MM	N MM	P MM	Q MM	R MM
40	22	50	54	19	45	45	33	19.1	45	22	45	22	32	46	32	67
50	32	60	64	29	53	50	54	25.5	65	29	52	28	51	67	32	98
63	40	76	74	36	53	50	54	25.5	65	29	60	28	51	70	35	98
75	40	85	84	36	53	50	54	25.5	65	29	60	28	48	67	35	98
90	45	102	102	NA	53	63	54	25.5	65	29	68	28	47	66	35	91
100	45	115	115	41	53	63	54	25.5	65	29	68	28	45	64	30	98
100	50	115	115	41	53	63	54	25.5	65	29	68	28	45	64	30	98
125	50	140	140	NA	53	63	54	25.5	65	29	68	28	45	64	27	91

BORE MM	ROD MM	S-THREAD INCH	T-THREAD INCH	U MM	V MM	W MM	U1 MM	V1 MM	W1 MM
40	22	3/4" - 16UNF	9/16" - 18UNF	46	19.05	59	46	19.1	59
50	32	1-1/8" - 12UNF	9/16" - 18UNF	66	25.4	81	53	25.4	68
63	40	1-1/8" - 12UNF	3/4" - 16UNF	66	25.4	81	61	25.4	76
75	40	1-3/8" - 12UNF	3/4" - 16UNF	66	25.4	81	61	25.4	76
90	45	1-3/8" - 12UNF	3/4" - 16UNF	66	25.4	81	69	25.4	84
100	45	1-3/8" - 12UNF	3/4" - 16UNF	66	25.4	81	69	25.4	84
100	50	1-3/8" - 12UNF	3/4" - 16UNF	66	25.4	81	69	25.4	84
125	50	1-3/8" - 12UNF	3/4" - 16UNF	66	25.4	81	69	25.4	84
125	63	1-3/8" - 12UNF	3/4" - 16UNF	66	25.4	81	69	25.4	84

WHERE:

FOR BORE 40MM: A = STROKE+241 OTHERWISE: A = STROKE+311



PART NO	BORE DIAMETER	STROKE	ROD DIAMETER	CLOSE LENGTH	OPEN LENGTH	PORT SIZE	PIN DIAMETER	WEIGHT
<b>40MM - 1 1/2" BORE CYLINDER</b>								
DC13991-01	40MM - 1 1/2"	51MM - 2"	22MM - 7/8"	292MM - 11 1/2"	343MM - 13 1/2"	9/16" UN O-RING	19.05MM - 3/4"	6.4KG
DC13992-01		102MM - 4"		343MM - 13 1/2"	444MM - 17 1/2"			6.7KG
DC13993-01		152MM - 6"		393MM - 15 1/2"	546MM - 21 1/2"			7.0KG
DC13994-01		203MM - 8"		444MM - 17 1/2"	647MM - 25 1/2"			7.3KG
DC13995-01		254MM - 10"		495MM - 19 1/2"	749MM - 29 1/2"			7.5KG
DC13996-01		305MM - 12"		546MM - 21 1/2"	851MM - 33 1/2"			7.8KG
DC15183		356MM - 14"		597MM - 23"	953MM - 37 1/2"			8.0KG
DC13997-01		406MM - 16"		647MM - 25 1/2"	1053MM - 41 1/2"			8.3KG
DC13998-01		457MM - 18"		698MM - 27 1/2"	1155MM - 45 1/2"			8.6KG
DC13999-01		508MM - 20"		749MM - 29 1/2"	1257MM - 49 1/2"			8.9KG
DC15184		559MM - 22"		800MM - 31 1/2"	1359MM - 53 1/2"			9.2KG
DC14000-01		610MM - 24"		851MM - 33 1/2"	1460MM - 57 1/2"			9.4KG
DC14001-01		762MM - 30"		1003MM - 39 1/2"	1765MM - 69 1/2"			10.2KG
DC14002-01		914MM - 36"		1155MM - 45 1/2"	2069MM - 81 1/2"			11.0KG
DC14003-01		1219MM - 48"		1460MM - 57 1/2"	2679MM - 105 1/2"			13.5KG

PART NO	BORE DIAMETER	STROKE	ROD DIAMETER	CLOSE LENGTH	OPEN LENGTH	PORT SIZE	PIN DIAMETER	WEIGHT
<b>50MM - 2" BORE CYLINDER</b>								
DC14010-01	50MM - 2"	51MM - 2"	32MM - 1 1/4"	362MM - 16 1/4"	413MM - 16 1/4"	9/16" UN O-RING	24.4MM - 1"	6.6KG
DC14011-01		102MM - 4"		413MM - 16 1/4"	541MM - 20 1/4"			7.4KG
DC14012-01		152MM - 6"		463MM - 18 1/4"	616MM - 24 1/4"			8.2KG
DC14431		203MM - 8"		514MM - 20 1/4"	717MM - 28 1/4"			9.0KG
DC14430		254MM - 10"		565MM - 22 1/4"	819MM - 32 1/4"			9.8KG
DC144099-01		305MM - 12"		616MM - 24 1/4"	921MM - 36 1/4"			10.6KG
DC14100-01		356MM - 14"		667MM - 26 1/4"	1022MM - 40 1/4"			11.2KG
DC14013-01		406MM - 16"		717MM - 28 1/4"	1123MM - 44 1/4"			12.2KG
DC14429		457MM - 18"		768MM - 30 1/4"	1225MM - 48 1/4"			13.0KG
DC14014-01		508MM - 20"		819MM - 32 1/4"	1327MM - 52 1/4"			13.8KG
DC14015-01		559MM - 22"		870MM - 34 1/4"	1429MM - 56 1/4"			14.6KG
DC14428		610MM - 24"		921MM - 36 1/4"	1530MM - 60 1/4"			15.4KG
DC14016-01		660MM - 26"		971MM - 38 1/4"	1631MM - 64 1/4"			16.2KG
DC14017-01		711MM - 28"		1022MM - 40 1/4"	1733MM - 68 1/4"			17.0KG
DC14018-01		762MM - 30"		1073MM - 42 1/4"	1835MM - 72 1/4"			17.8KG
DC14019-01		914MM - 36"		1225MM - 48 1/4"	2139MM - 84 1/4"			20.2KG
DC14020-01		1067MM - 42"		1378MM * 54 1/4"	2445MM - 96 1/4"			22.6KG
DC14427		1219MM - 48"		1530MM - 60 1/4"	2749MM - 108 1/4"			25.0KG

PART NO	BORE DIAMETER	STROKE	ROD DIAMETER	CLOSE LENGTH	OPEN LENGTH	PORT SIZE	PIN DIAMETER	WEIGHT
<b>63MM - 2 1/2" BORE CYLINDER</b>								
DC14426	63MM - 2 1/2"	51MM - 2"	40MM - 1 1/2"	362MM - 14 1/4"	413MM - 16 1/4"	3/4" UN O-RING	25.4MM - 1"	8.6KG
DC14021-01		102MM - 4"		413MM - 16 1/4"	514MM - 20 1/4"			9.1KG
DC14425		152MM - 6"		463MM - 18 1/4"	616MM - 24 1/4"			9.8KG
DC13768-01		203MM - 8"		514MM - 20 1/4"	717MM - 28 1/4"			10.8KG
DC14022-01		254MM - 10"		565MM - 22 1/4"	819MM - 32 1/4"			11.9KG
DC13819-01		305MM - 12"		616MM - 24 1/4"	921MM - 36 1/4"			12.8KG
DC14023-01		356MM - 14"		667MM - 26 1/4"	1022MM - 40 1/4"			13.6KG
DC13769-01		406MM - 16"		717MM - 28 1/4"	1123MM - 44 1/4"			14.1KG
DC13820-01		457MM - 18"		768MM - 30 1/4"	1225MM - 48 1/4"			14.8KG
DC13821-01		508MM - 20"		819MM - 32 1/4"	1327MM - 52 1/4"			15.7KG
DC14024-01		559MM - 22"		870MM - 34 1/4"	1429MM - 56 1/4"			16.6KG
DC14063-01		610MM - 24"		921MM - 36 1/4"	1530MM - 60 1/4"			17.6KG
DC14025-01		660MM - 26"		971MM - 38 1/4"	1631MM - 64 1/4"			18.6KG
DC14026-01		711MM - 28"		1022MM - 40 1/4"	1733MM - 68 1/4"			19.7KG
DC14027-01		762MM - 30"		1073MM - 42 1/4"	1835MM - 72 1/4"			20.6KG
DC14028-01		914MM - 36"		1225MM - 48 1/4"	2139MM - 84 1/4"			23.2KG
DC14424		1067MM - 42"		1378MM - 54 1/4"	2445MM - 96 1/4"			26.2KG
DC14423		1219MM - 48"		1530MM - 60 1/4"	2749MM - 108 1/4"			29.1KG

PART NO	BORE DIAMETER	STROKE	ROD DIAMETER	CLOSE LENGTH	OPEN LENGTH	PORT SIZE	PIN DIAMETER	WEIGHT
<b>75MM - 3" BORE CYLINDER</b>								
DC14422	75MM - 3"	51MM - 2"	40MM - 1 1/2"	362MM - 14 1/4"	413MM - 16 1/4"	3/4" UN O-RING	25.4MM - 1"	11.6KG
DC14029-01		102MM - 4"		413MM - 16 1/4"	514MM - 20 1/4"			12.6KG
DC14030-01		152MM - 6"		463MM - 18 1/4"	616MM - 24 1/4"			13.4KG
DC13822-01		203MM - 8"		514MM - 20 1/4"	717MM - 28 1/4"			14.5KG
DC14031-01		254MM - 10"		565MM - 22 1/4"	819MM - 32 1/4"			15.5KG
DC13823-01		305MM - 12"		616MM - 24 1/4"	921MM - 36 1/4"			16.7KG
DC14032-01		356MM - 14"		667MM - 26 1/4"	1022MM - 40 1/4"			17.4KG
DC14166-01		406MM - 16"		717MM - 28 1/4"	1123MM - 44 1/4"			18.5KG
DC14127-01		457MM - 18"		768MM - 30 1/4"	1225MM - 48 1/4"			19.3KG
DC14033-01		508MM - 20"		819MM - 32 1/4"	1327MM - 52 1/4"			20.5KG
DC14034-01		559MM - 22"		870MM - 34 1/4"	1429MM - 56 1/4"			21.6KG
DC14101-01		610MM - 26"		921MM - 36 1/4"	1530MM - 60 1/4"			22.7KG
DC14421		660MM - 26"		971MM - 38 1/4"	1631MM - 64 1/4"			29.9KG
DC14420		711MM - 28"		1022MM - 40 1/4"	1733MM - 68 1/4"			25.2KG
DC14419		762MM - 30"		1073MM - 42 1/4"	1835MM - 72 1/4"			26.4KG
DC14418		914MM - 36"		1225MM - 48 1/4"	2139MM - 84 1/4"			30.0KG
DC14417		1067MM - 42"		1378MM - 54 1/4"	2445MM - 96 1/4"			33.3KG
DC14416		1219MM - 48"		1530MM - 60 1/4"	2749MM - 108 1/4"			36.9KG

PART NO	BORE DIAMETER	STROKE	ROD DIAMETER	CLOSE LENGTH	OPEN LENGTH	PORT SIZE	PIN DIAMETER	WEIGHT
<b>90MM - 3 1/2" BORE CYLINDER</b>								
DC14555	90MM - 3 1/2"	152MM - 6"	45MM - 1 3/4"	463MM - 18 1/4"	616MM - 24 1/4"	3/4" UN O-RING	25.4MM - 1"	18.1KG
DC14556		203MM - 8"		541MM - 20 1/4"	717MM - 28 1/4"			19.4KG
DC14557		254MM - 10"		565MM - 22 1/4"	819MM - 32 1/4"			20.7KG
DC14415		305MM - 12"		616MM - 24 1/4"	921MM - 36 1/4"			22.2KG
DC14558		356MM - 14"		667MM - 26 1/4"	1022MM - 40 1/4"			23.7KG
DC14559		406MM - 16"		717MM - 28 1/4"	1123MM - 44 1/4"			24.2KG
DC14560		457MM - 18"		768MM - 30 1/4"	1225MM - 48 1/4"			25.7KG
DC14561		508MM - 20"		819MM - 32 1/4"	1327MM - 52 1/4"			27.2KG
DC14562		610MM - 24"		921MM - 36 1/4"	1530MM - 60 1/4"			30.2KG
DC14563		762MM - 30"		1073MM - 42 1/4"	1835MM - 72 1/4"			35.0KG
DC14564		914MM - 36"		1225MM - 48 1/4"	2139MM - 84 1/4"			39.5KG
DC14565		1067MM - 42"		1378MM - 54 1/4"	2445MM - 96 1/4"			44.0KG
DC14566		1219MM - 48"		1530MM - 60 1/4"	2749MM - 108 1/4"			48.5KG

PART NO	BORE DIAMETER	STROKE	ROD DIAMETER	CLOSE LENGTH	OPEN LENGTH	PORT SIZE	PIN DIAMETER	WEIGHT
<b>100MM - 4" BORE CYLINDER</b>								
DC14414	100MM - 4"	203MM - 8"	45MM - 1 3/4"	514MM - 20 1/4"	717MM - 28 1/4"	3/4" UN O-RING	25.4MM - 1"	22.0KG
DC14567		254MM - 10"		565MM - 22 1/4"	819MM - 32 1/4"			23.5KG
DC14035-01		305MM - 12"		616MM - 24 1/4"	921MM - 36 1/4"			25.0KG
DC14569		356MM - 14"		667MM - 26 1/4"	1022MM - 40 1/4"			26.5KG
DC14036-01		406MM - 16"		717MM - 28 1/4"	1123MM - 44 1/4"			28.0KG
DC14568		457MM - 18"		768MM - 30 1/4"	1225MM - 48 1/4"			29.7KG
DC14570		508MM - 20"		819MM - 32 1/4"	1327MM - 52 1/4"			31.4KG
DC13824-01		610MM - 24"		921MM - 36 1/4"	1530MM - 60 1/4"			38.3KG
DC14571		762MM - 30"		1073MM - 42 1/4"	1835MM - 72 1/4"			40.7KG
DC14413		914MM - 36"		1225MM - 48 1/4"	2139MM - 84 1/4"			45.7KG
DC14412		1067MM - 42"		1378MM - 54 1/4"	2445MM - 96 1/4"			50.7KG
DC14411		1219MM - 48"		1530MM - 60 1/4"	2749MM - 108 1/4"			55.6KG
DC14809		610MM - 24"	50MM - 2"	921MM - 36 1/4"	1530MM - 60 1/4"			37.6KG
DC14810		762MM - 30"		1073MM - 42 1/4"	1835MM - 72 1/4"			42.0KG
DC14811		914MM - 36"		1225MM - 54 1/4"	2139MM - 84 1/4"			48.0KG
DC14812		1067MM - 42"		1378MM - 54 1/4"	2445MM - 96 1/4"			52.5KG
DC14183		1219MM - 48"		1530MM - 60 1/4"	2749MM - 108 1/4"			58.0KG

PART NO	BORE DIAMETER	STROKE	ROD DIAMETER	CLOSE LENGTH	OPEN LENGTH	PORT SIZE	PIN DIAMETER	WEIGHT
<b>125MM - 5" BORE CYLINDER</b>								
DC14572	125MM - 5"	203MM - 8"	50MM - 2"	514MM - 20 1/4"	717MM - 28 1/4"	3/4" UN O-RING	25.4MM - 1"	28.5KG
DC14573		305MM - 12"		616MM - 24 1/4"	921MM - 36 1/4"			32.7KG
DC14574		406MM - 16"		717MM - 28 1/4"	1123MM - 44 1/4"			36.9KG
DC14575		457MM - 18"		768MM - 30 1/4"	1225MM - 48 1/4"			39.0KG
DC14576		508MM - 20"		819MM - 32 1/4"	1327MM - 52 1/4"			43.4KG
DC14577		610MM - 24"	63MM - 2 1/2"	921MM - 36 1/4"	1530MM - 60 1/4"			53.0KG
DC14578		762MM - 30"		1073MM - 42 1/4"	1835MM - 72 1/4"			60.5KG
DC14579		914MM - 36"		1225MM - 48 1/4"	2139MM - 84 1/4"			68.2KG
DC14580		1067MM - 42"		1378MM - 54 1/4"	2445MM - 96 1/4"			75.9KG
DC14410		1219MM - 48"		1530MM - 60 1/4"	2749MM - 108 1/4"			83.2KG





# **HOLDFAST**

HYDRAULIC & INDUSTRIAL SOLUTIONS



## **CONTACT INFO**

### **FORRESTFIELD**

657 DUNDAS ROAD,  
FORRESTFIELD WA 6058  
PHONE: 1300 HOLDFAST  
PHONE: (08) 9359 1795  
FAX: (08) 9359 1792

### **BROOME**

10/274 PORT DRIVE,  
BROOME WA 6725  
PHONE: 1300 HOLDFAST  
PHONE: (08) 9192 6007  
FAX: (08) 9192 6067

### **NAVAL BASE**

1/27 DOOLEY STREET  
NAVAL BASE WA 6165  
PHONE: 1300 HOLDFAST  
PHONE: (08) 9410 0716  
FAX: (08) 9410 1152

# **1300 HOLDFAST**