

# TEMPERATURE

# PRESSURE

# SWITCH

# FORCE

# LEVEL

# FLOW



**FLOWMETERS**

- 3 & 4 Variable Area Flowmeters
- 5 Turbine Flowmeters
- 6 Turbine Flowmeters
- 7 Oval Gear Meters
- 8 Electromagnetic Flowmeters
- 9 Ultrasonic Flowmeter-Doppler
- 10 Ultrasonic Flowmeter-Transit Time
- 11 Portable Ultrasonic Flowmeter; Model DXN
- 12 Portable Hydraulic Testers

**LEVEL GAUGES & SWITCHES**

- 13 Mechanical Level Gauges
- 14 Liquid Level Sensor Variable Resistance
- 15 Fuel Level Sensor-4-20mA Output
- 16 Vertical Float Level Switches-Custom Made
- 17 Float Level Switches
- 18 Level Senders & Gauges
- 19 -Level Senders & Gauges  
-Engine Monitoring

**HAND HELD TACHOMETERS**

- 20 Deumo Hand Held Mechanical Tachometers

**PRESSURE GAUGES**

- 21 40mm, 50mm Pressure Gauges
- 22 Pressure, Medical and Capsual Gauges
- 23 63mm Heavy Duty Pressure Gauges: P1454 Bottom
- 24 63mm Heavy Duty Pressure Gauges: P1453 Rear
- 25 100mm Heavy Duty Pressure Gauges: P1776/P1778 Bottom

**PRESSURE GAUGES (continued)**

- 26 100mm Heavy Duty Pressure Gauges: P1777/P1779 Rear
- 27 63mm All S/S Heavy Duty Pressure Gauges: P2032 Bottom
- 28 63mm All S/S Heavy Duty Pressure Gauges: P2033 Rear
- 29 100mm All S/S Heavy Duty Pressure Gauges: P2325 Bottom
- 30 100mm All S/S Heavy Duty Pressure Gauges: P2329 Rear
- 31 160mm All 316 S/S Gauges: Bottom
- 32 100mm All 316 S/S Safety Pattern Pressure Gauges
- 33 -80mm Digital Pressure Gauges  
-Test kits: Digital & Analogue

**ACCESSORIES**

- 34 Pressure Gauge Accessories
- 35 Gauge Adapters, Glycerine & Pointers
- 36 100 & 160mm Dial & Needle Valves
- 37 Syphon, Snubbers, Cooling Towers & Diaphragm Seals
- 38 Rast Snubbers

**FORCE**

- 39 Load Cells, Tension & Compression Products

**PRESSURE SWITCHES & TRANSMITTERS**

- 40 Electronic Pressure Switches
- 41 & 42 Mechanical Pressure Switches: Engine & Hydraulic
- 43, 44 Pressure Transmitters: Models P3251/P3297/P3278
- 45 Bluetooth Pressure Transmitters

**TEMPERATURE**

- 46 Bi-Metal Temperature Switches
- 47 -Electronic Temperature Switches  
-Temperature Transmitters
- 48 'V' Shaped Machine Thermometers & Bimetal Temperature Gauges

**VALID FROM 01/01/2019**

Price subject to HOLDFAST Fluid Power standard terms and condition of sales.

Prices may change without notice

The price list is confidential and may not be passed on to a third party, fully or partially, without the permission of HOLDFAST Fluid Power.

## Low Cost Irrigation Variable Area Flow-meters By Hedland®

Hedland® Variable Area Flow-meters are the industry benchmark. These flow-meters are constructed of aluminum, brass or stainless steel with varying ranges for liquids, oil, water, compressed air and many other fluids and gases.

Hedland® VA meters are recommended for use in machine cooling and lubrication, packaging, semiconductor production, high pressure and hose applications, automotive and aviation industry as well as in the mining industry.



Low Cost Irrigation Variable Area Flow-meters for WATER MAX. PRESSURE 325psi/22.4bar			FOR WATER	
Model			Price	
H621-004	2-15 LPM, 1" NPTF male, 0.5-4 GPM		\$165.00	D
H621-007	4-26 LPM, 1" NPTF male, 1-7 GPM		\$165.00	D
H621-010	4-35 LPM, 1" NPTF male, 1-10 GPM		\$165.00	D
H621-016	5-60 LPM, 1" NPTF male, 1-16 GPM		\$165.00	D
H621-018	15-65 LPM, 1" NPTF male, 3-18 GPM		\$165.00	D
H621-028	20-100 LPM, 1" NPTF male, 4-28 GPM		\$165.00	D



EZ - View VA Flow-meters for MAX PRESSURE 325psi/22.4bar			FOR WATER	
Model			Price	
H627-004	2-15 LPM, 1/2" BSPT female swivel brass ports		\$300.00	D
H627-007	4-26 LPM, 1/2" BSPT female swivel brass ports		\$300.00	D
H630-010	4-35 LPM, 3/4" BSPT male swivel brass ports		\$305.00	D
H630-016-R	5-60 LPM, 3/4" BSPT male swivel brass ports		\$305.00	D
H616-025-R	10-95 LPM, 1-1/2" BSPP female brass ports		\$735.00	D
H616-050-R	20-190 LPM, 1-1/2" BSPP female brass ports		\$735.00	D
H618-075-R	30-280 LPM, 2" BSPP female brass ports		\$735.00	D
H618-010-R	40-380 LPM, 2" BSPP female brass ports		\$735.00	D



Variable Area Flow-meters for WATER - HIGH PRESSURE - BRASS			FOR WATER	
Model			Price	
H206B-020	1-7.5 LPM, brass, 1/4" BSPP, max press-3500 psi		\$569.00	D
H605B-005	2-19 LPM, brass, 1/2" NPT, max press-3500 psi		\$625.00	D
H606B-005	2-19 LPM, brass, 1/2" BSPP, max press-3500 psi		\$625.00	D
H606B-010	5-38 LPM, brass, 1/2" BSPP, max press-3500 psi		\$625.00	D
H606B-015	4-56 LPM, brass, 1/2" BSPP, max press-3500 psi		\$625.00	D
H756B-020	10-76 LPM, brass, 1" BSPP, max press-3500 psi		\$645.00	D
H756B-040	15-150 LPM, brass, 1" BSPP, max press-3500 psi		\$869.00	D
H856B-075	40-280 LPM, brass, 1-1/2" BSPP, max press-3500 psi		\$869.00	D
H856B-100	50-380 LPM, brass, 1-1/2" BSPP, max press-3500 psi		\$2,465.00	D
H906B-275	100-1000 LPM, brass, 3" BSPP, max press-800 psi		\$2,465.00	D

**Variable Area Flowmeters by Hedland®**



**FOR OIL**

Model	Variable Area Flow-meters for OIL - HIGH PRESSURE - ALUMINUM	Price	
H202A-020	1-7.5 LPM, aluminum, 1/4"BSPP, max press-3500psi	\$504.00	D
H602A-005	2-19 LPM, aluminum, 1/2"BSPP, max press-3500psi	\$563.00	D
H602A-015	4-56 LPM, aluminum, 1/2"BSPP, max press-3500psi	\$563.00	D
H702A-020	10-76 LPM, aluminum, 3/4"BSPP, max press-3500psi	\$649.00	D
H762A-020	10-76 LPM, aluminum, 1"BSPP, max press-3500psi	\$649.00	D
H762A-040	15-150 LPM, aluminum, 1"BSPP, max press-3500psi	\$649.00	D
H802A-075	40-280 LPM, aluminum, 1 -1/4"BSPP, max press-3500psi	\$1,595.00	D
H802A-100	50-380 LPM, aluminum, 1 -1/4"BSPP, max press-3500psi	\$1,595.00	D
H862A-150	50-560 LPM, aluminum, 1 -1/2"BSPP, max press-3500psi	\$1,595.00	D



**FOR OIL**

Model	Variable Area Flow-meters for OIL - HIGH PRESSURE - BRASS	Price	
H202B-010	0.5-3.75 LPM, brass, 1/4"BSPP, max press-3500 psi	\$505.00	D
H202B-020	1-7.5 LPM, brass, 1/4"BSPP, max press-3500 psi	\$505.00	D
H602B-005	2-19 LPM, brass, 1/2"BSPP, max press-3500 psi	\$569.00	D
H602B-015	4-56 LPM, brass, 1/2"BSPP, max press-3500 psi	\$569.00	D
H702B-020	10-76 LPM, brass, 3/4"BSPP, max press-3500 psi	\$839.00	D
H762B-020	10-76 LPM, brass, 1"BSPP, max press-3500 psi	\$839.00	D
H762B-030	10-115 LPM, brass, 1"BSPP, max press-3500 psi	\$839.00	D
H762B-040	15-150 LPM, brass, 1"BSPP, max press-3500 psi	\$839.00	D
H802B-050	20-190 LPM, brass, 1-1/4"BSPP, max press-3500 ps	\$2,435.00	D
H802B-075	40-280 LPM, brass, 1 -1/4"BSPP, max press-3500 psi	\$2,435.00	D
H802B-100	50-380 LPM, brass, 1 -1/4"BSPP, max press-3500 psi	\$2,435.00	D
H862B-150	50-560 LPM, brass, 1 -1/2"BSPP, max press-3500 psi	\$2,435.00	D



**FOR OIL**

Model	Variable Area Flow-meters for OIL - HIGH PRESSURE - BRASS	Price	
H202S-010	0.5-3.75 LPM, S/S, 1/4"BSPP, max press-6000 psi	\$1,115.00	D
H202S-020	1-7.5 LPM, S/S, 1/4"BSPP, max press-6000 psi	\$1,115.00	D
H602S-005	2-19 LPM, S/S, 1/2"BSPP, max press-6000 psi	\$1,205.00	D
H602S-015	4-56 LPM, S/S, 1/2"BSPP, max press-6000 psi	\$1,205.00	D
H702S-020	10-76 LPM, S/S, 3/4"BSPP, max press-5000 psi	\$1,535.00	D
H762S-020	10-76 LPM, S/S, 1"BSPP, max press-5000 psi	\$1,535.00	D
H762S-040	15-150 LPM, S/S, 1"BSPP, max press-5000 psi	\$1,535.00	D
H802S-075	40-280 LPM, S/S, 1 -1/4"BSPP, max press-5000 psi	\$3,035.00	D
H802S-100	50-380 LPM, S/S, 1 -1/4"BSPP, max press-5000 psi	\$3,035.00	D
H862S-150	50-560 LPM, S/S, 1 -1/2"BSPP, max press-5000 psi	\$3,035.00	D

## Turbine Flowmeters by Blancett®

Designed to withstand the demands of the most rigorous flow measurement applications of water and other liquids, the Model 1100 Turbine Flow-meters feature rugged stainless steel and tungsten carbide constructions. For a complete system, the HB30 flow monitor provides a local indication of both flow rate and total flow. To integrate with other instruments, PLC's and computers, **Blancett®** also offers additional electronic accessories.



Model	Turbine Flow-meters 316 S/S - Pulse Output	Price	
HB110-375-1/2	2.27-11.63 LPM, 1/2"NPT male ports, max press 5000 psi	\$1,075.00	D
HB110-500-1/2	2.84-28.39 LPM, 1/2"NPT male ports, max press 5000 psi	\$1,126.00	D
HB110-750-1/2	7.57-56.78 LPM, 1/2"NPT male ports, max press 5000 psi	\$1,062.00	D
HB110-875	11.36-113.6 LPM, 1"NPT male ports, max press-5000 psi	\$1,062.00	D
HB111-110	18.93-189.3 LPM, 1"NPT male ports, max press 5000 psi	\$1,126.00	D
HB111-115	56.8-681 LPM, 1 -1/2"NPT male ports, max press-5000 psi	\$1,168.00	D
HB111-121	56.8-681 LPM, 2"NPT male ports, max press 5000 psi	\$1,770.00	D
HB111-120	151-1514 LPM, 2"NPT female ports, max press-5000 psi	\$1,862.00	D



Model	B300 Flow Monitor, Loop Powered and Battery Powered	Price	
HB30AM-CS	<b>Advanced Meter Mount.</b> Models are loop-powered with 4-20mA and pulse outputs, and include battery back-up power supply. Battery powers the display only when 4-20mA loop not available. Units include 2 adjustable flow rate alarms, and Modbus® RTV digital communications over RS485.	\$1,295.00	D
HB30AR-CS	<b>Advanced Remote Mount</b> (less cable). Advanced and Base models are loop-powered with 4/20mA and pulse outputs, and include battery back-up power supply. Battery powers display only when 4/20mA loop not available. Units include 2 adjustable flow rate alarms, and Modbus® RTV digital communications over RS485.	\$1,320.00	D
HB30AS-CS	<b>Advanced Swivel Mount.</b> Models are loop-powered with 4/20mA and pulse outputs, and include battery back-up power supply. Battery powers display only when 4/20mA loop not available. Units include 2 adjustable flow rate alarms, and Modbus® RTV digital communications over RS485.	\$1,418.00	D
HB30SM-CS	<b>Solar Meter Mount.</b> Units include a rechargeable battery and include no outputs (display only).	\$868.00	D
HB30SR-CS	<b>Solar Remote Mount</b> (less cable). Units include a rechargeable battery and include no outputs (display only).	\$896.00	D
HB30SS-CS	<b>Solar Swivel Mount.</b> Units include a rechargeable battery and include no outputs (display only).	\$980.00	D



Model	Frequency to Current or Voltage Converters for use with Turbines	Price	
HB220-950	Frequency to Current, (4..20mA), includes mag pick-up.	\$1,270.00	D
HB220-951	Frequency to Voltage, (0..5VDC), includes mag pick-up.	\$1,270.00	D



Model	Cable for connecting Converter or Turbine to Remote Monitor	Price	
HB220-220	3 metres Cable with 2pin 90deg connector for <b>Turbine to Remote Display</b> (Pulse output).	\$205.00	D
HB220-221	3 metres Cable with 2pin Straight connector for <b>Turbine to Remote Display</b> (Pulse output).	\$205.00	D
HB220952-15	4.6 metres Cable with 5pin Straight connector for <b>Converter to Remote Display</b> (analogue output).	\$265.00	D



# F L O W Turbine Meter by Vision®

## Pulse Output

The **Vision®** turbine meters are ideal for the metering of small quantities of liquids. Present flow rate and total flow can be displayed. The **VISION 1000** series is most suited for small flow rates up to 2,5 l/min. The **VISION 2000** series can be used in applications from 0,5 to 35 l/min and the **VISION 3000** series offers a wider flow range of 5 to 65 l/min.

These meters are best suited for flow measurement of de-mineralized water, alkaline solutions, oils/salad oil, fuel oil, beverages, water solutions or for fuel and fuel consumption. They are especially ideal for washing machines and dish washers, coffee machines, laser cooling systems, solar plants, bakery and steam cooking machines in large kitchen plants and also CD cleaning.



VISION 1000



VISION 2000



VISION 3000

P/N	Model	Range	Thread	PPL	Price	
HV1005 2F66	Vision 1000 Turbine Flowmeter	0.1-2.5 LPM	G1/4"BSPP	22,000	\$109.70	D
HV2006 4F44	Vision 2000 Turbine Flowmeter	1-10 LPM	G3/8"BSPP	3,000	\$109.70	D
HV2008 4F22	Vision 2000 Turbine Flowmeter	1-25 LPM	G3/8"BSPP	1,000	\$109.70	D
HV2008 4F17	Vision 2000 Turbine Flowmeter	2-35 LPM	G3/8"BSPP	750	\$109.70	D
HV3012 4F16	Vision 3000 Turbine Flowmeter	5-65 LPM	G3/4"BSPP	210	\$150.00	D

HV2008 422 Brass	Vision 2000 Turbine Flowmeter	3-25LPM	G3/8"BSPP	920	\$137.00	D
---------------------	-------------------------------	---------	-----------	-----	----------	---



P/N	Model	Range	Thread	Price	
HV2008 4F17 ILR701T	Vision 2000 Turbine Flowmeter with <b>ILR 701T Display</b>	2-35 LPM	G3/8"BSPP	\$409.00	D
HV3012 4F16 ILR701T	Vision 2000 Turbine Flowmeter with <b>ILR 701T Display</b>	5-65 LPM	G3/4"BSPP	\$470.00	D

# Oval Gear Meter by AOG®

Oval Gear Meters are volumetric meters suited for liquids with a viscosity up to 5.000 mPas. Typical applications are mineral oils, hydraulic oils, solvents, brake fluids, coolants transmission oils, etc...

## Measuring principle

As fluid passes through the metering chamber by entering the inlet port, the internal gear is forced to rotate and fluid exits through the outlet port. Each rotation of gear displaces a given volume of fluid. Controlled clearances between the gears and chamber wall insure minimum leakage. As the gears rotate a magnet on each end of the gear activates the reed switch and indicates a pulse.



**IOG Series**

**LM-OG-I meters**



OIG Stainless Steel Flange    OIG Aluminium or Stainless steel

## Precision Oval Gear Meters Series LM

Product	Suitable Media	LPM	Connection	Price	
LM OG-I	Oil	1-35	1/2" BSPP	\$215	D
LM OG-IK	Water	1-35	1/2" BSPP	\$420	D
LM OG-HF-60L	Oil / Water	3-60	3/4" BSPP	\$518	D
LM OG- HF-115L	Oil / Water	3-115	1"BSPP	\$518	D

Shrouds



Handle



Outlet



Swivel Joints



Sight Glass

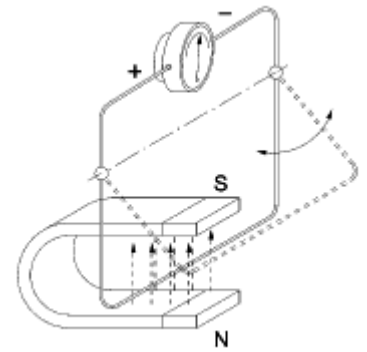


Model	Description	Price	
LM PG 151	Suitable for LM OG Series	\$19	D
LM PG 190	Connection 1/2"BSPP & Suitable Media oil	\$92	D
LM PG 1011	Connection 1/2"BSPP, Length 138mm, Shape 30 ° Bent rigid & valve automatic	\$48.50	D
LM PG 219	Connection 1/2"BSPP, Length 280mm, Shape 90 ° Bent flexible & valve automatic	\$52.20	D
LM PG 106	Connection 1/2"BSPP, Length 160mm, Shape 105° Bent rigid & valve automatic	\$182	D
LM PG 118	Connection 1/2"BSPP, Length 270mm, Straight flexible & valve manual	\$63	D
LM PG 516	Connection 3/4"BSPP, Length 310mm, Straight flexible & valve automatic	\$182	D
LM PG 107	Connection 1/2"BSPP & Suitable Media oil	\$37.90	D
LM PG 113	Connection 1/2"BSPP	\$65	D

# Electromagnetic Flowmeters by MogMAG®

## Measuring principle

The operating of the electromagnetic flowmeter is based on Faraday's law of magnetic induction. The voltage induced across any conductor, as it moves at right angles through a magnetic field, is proportional to the velocity of that conductor. The voltage induced within the fluid is measured by two diametrically opposed internally mounted electrodes. The induced signal voltage is proportional to the product of the magnetic flux density, the distance between the electrodes and the average flow velocity of the fluid.



## Meters for conductive fluids - detector

### Flange process connection

- Size DN 6-2000
- Nominal pressure up to PN 100

### Flange process connection

- Size DN 25-100
- Nominal pressure up to PN 100

### Tri-Clamp connection

- Size DN 6-2000
- Nominal pressure up to PN 100



Detector type II



Detector type III



Sanitary detector

## Amplifiers



- For all detectors
- Accuracy  $\pm 0.3\%$  of actual flow
- Protection class IP 67
- ModBus, HART, M-Bus Interface
- Low cost



- For all detectors
- Accuracy  $\pm 0.2\%$  of actual flow
- Protection class IP 67
- ModBus, HART, M-Bus, HART Interface



- For all detectors
- Accuracy  $\pm 0.2\%$  of actual flow
- Protection class IP 67/EX-PROOF
- RS232 Interface
- Hazardous Areas



- For all detectors
- Accuracy  $\pm 0.4\%$  of actual flow
- Protection class IP 67/IP 68
- ModBus, IrDA, M-Bus Interface
- Battery operated



## UFX Handheld Doppler Ultrasonic Flowmeter by Dynasonics®

**The UFX Doppler flowmeter is used where solid particles or aeration are present.**

Portable, cost-effective, flow measurements on liquid containing a minimum of 100ppm of 100 micro size suspended solids or aeration in closed full pipes from DN 6 to DN 3000 (1/4" to 120").

Non-invasive, handheld sensor and battery-powered electronics packaged in a NEMA 4 (IP65) rated enclosure. Measures fluid velocities from 0.1 to 9m/s. Reliable reading on nearly all liquid applications containing a minimum of 100ppm of 100 micro sizes suspended solids or entrained gases. Large four-digit LCD display provides velocity readout in user selected units (m/s or ft/s).

Easy to use flow verification instruments for industrial and municipal applications including paper pulp stock, concrete slurries, dredging, primary sludge and waste activated sludge.

Model	Description
HDFUX1-B1	Handheld Ultrasonic Flow Meter, Standard pipe transducer 1/4" - 1" pipe OD's, velocity slide chart, batteries and a carrying case.
HDFUX1- D1	Handheld Ultrasonic Flow Meter, Standard pipe transducer over 1" velocity slide chart, batteries and a carrying case.
HDFUX1- F1	Handheld Ultrasonic Flow Meter Model, Small pipe transducers, 1/4" - 1" + standard pipe transducer over 1", velocity slide chart, batteries, a carrying case and calibration cert.



## DFX Doppler Ultrasonic Flowmeter - Clamp on by Dynasonics®

**The UFX Doppler flowmeter is used where solid particles or aeration are present.**

Non-intrusive, clamp-on sensor for most pipes from DN6 to DN1500 (1/4" to 59"). Wide velocity range: 0.05 to 9 m/s (0.15 to 30ft/s). Flexibility with automatic gain control and in-field linearization, the DFX will adapt to a wide variety of applications. Microprocessor-based system: configuration and accumulation data stored in non-volatile flash ROM.

Successful applications of Doppler ultrasonics flowmeter relies on certain physical constraints: The liquid flowing within the pipe must contain 100ppm of useful sonic suspended reflectors. Dissolved solids do not generate reflections and are not relevant. A significant portion of the ultrasound energy generated by the sensor must reach the sonic reflectors. The pipe must be completely filled with liquid when measurements are made. The DFX microprocessor assumes that the pipe is completely full when it calculates flow rate. Use on partially-filled pipes may result in inaccurate reading.

Model	Description
HDDFXD2-B1NA-NN	Remote Transmitter, Rate and Tantalization, 230 VAC Power supply required, 1 x 4-20mA output, 8 digit resettable totaliser.
HDT94-020-N00-N	Ultrasonic Sensor Set, max temp 90°C, Standard Pipe, 6m cable, for 1" & greater pipe OD. Including 36" mounting straps.



# TFX - 500w Transit Time Ultrasonic Flowmeter by Dynasonics®

## The TFX- 500w Clamp On Meter For Clean Water

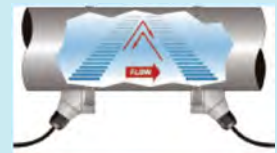
**Description:** The TFX-500w ultrasonic transit time flow meter measures volumetric flow of clean water in pipes 10 in. or smaller. By clamping on the outside of the pipe, the ultrasonic meter installs without cutting or tapping the pipe.

**Features:**

- Clamp-on non-invasive flow meter
- Bidirectional flow measurement system
- Measures flow rate, total velocity of water flow.
- Compact enclosure uses large, easy to read graphical display.
- No moving parts to maintain
- No pressure head loss

**Benefits:**

- Install without shutting down the process for installation or maintenance.
- Eliminates the costs of in-line flanges and pipe fittings.



Series	Description
HDW-G-JZ-D-S-AC-WW-S-P	Ultrasonic Flow meter for water ONLY, Keypad and Display, 4-20mA Output, 50mm-150mm EasyRail, transducer set, 4.5m cable.
HDW-G-KZ-F-S-AC-WW-S-P	Ultrasonic Flow meter for water ONLY, Keypad and Display, 4-20mA Output, 50mm-150mm EasyRail, transducer set, 4.5m cable.
HD002-2008-001	S/S Transducer Mounting Straps PER metre
HD002 - 2008 - 002	Warm Gear for Mounting Straps



**Application:**

The TFX-500w meter is well suited for building automation, water distribution and wastewater collection in new and retrofit applications. In addition to having lower installation costs than an in-line flow meter, the TFX-500w meter can be installed while the system continues to operate without interruption.

# Model TFX Transit Time Ultrasonic Flowmeter by Dynasonics®

## The UFX Doppler flowmeter is used where solid particles or aeration are present.

**TFX Ultra®** Ultrasonic flow and energy meters, clamp onto the outside of pipes and do not contact the internal liquid. The technology has inherent advantages over alternate devices including: low-cost installation, no pressure head loss, no moving parts to maintain or replace, no fluid compatibility issues and a large, bi-directional measuring range that ensures reliable reading even at very low and high flow rates.

**The TFX Ultra®** is available in two versions: a stand-alone flowmeter and an energy flowmeter used in conjunction with dual clamp-on RTDs. The energy flowmeter measures energy usage in BTU, MBTU, MMBTU, TONS, KJ, KW, MW and is ideal for retrofit, chilled water and other HVAC application:

**Common features:**

- Rate total back-lit display
- 4-20mA Output
- 0-1,000 Hz rate plus and dual outputs (flowmeter model only)
- USB programming port.
- RS485 ModBus network connection.
- Remote totalizer reset.

Model	Description
HDTFXB-ZN-DKNN-NA	TFX Ultrasonic Flow meter, use with remote transducers, 4 button keypad, 4-20mA output, 4-20mA output and Cable Gland Kit.
HDTT-EASY-S-020-N00-N	EASY RAIL LARGE, Transducer set for pipes 50mm- 250mm, Max temp 120°C, MOUNTING STRAPS NOT INCLUDED
HDTT- EASY- S- 020-N00-N	EASY RAIL SMALL, Transducer set for pipes 50mm-150mm, Max temp 120°C, MOUNTING STRAPS NOT INCLUDED.
HDTTN-020-N-000-N	Large Pipe Transducer, CPVC type, 2" to 98" clamp, MAX temp 90°C
HD002- 2008-001	SS/ Transducer Mounting straps PER meter
HD002-2008-002	Worm Gear for Mounting Straps

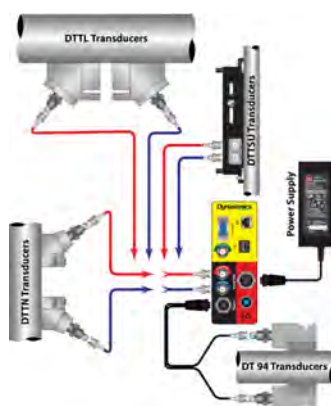


# The DXN Portable Ultrasonic Flowmeter by Dynasonics®

The DXN Portable Ultrasonic Flowmeter is a true hybrid ultrasonic flowmeter capable of measuring liquid flow with multiple technologies, including: Doppler, Transit Time and Liquid Thermal (Heat Energy) Flow. DXN is also compatible for use with a pipe wall thickness gauge, used to verify inside pipe diameter and ensure highly accurate ultrasonic measurements when piping details are unknown or unavailable.

The DXN has a number of advanced features that allow the user to obtain accurate readings while capturing flow surges and high-speed batch operations.

DXN captures and records multiple application parameters at one time with an easy-to-use data logging function and provides the power to verify troubleshoot permanent flow installations with ease.



Model	B300 Flow Monitor, Loop Powered and Battery Powered	Price	
HDXNP-ZBS-NN	<b>BASIC</b> 4-20mA output; Modbus TCP/IP communications, 1 GB on-board data logger (USB port) colour touchscreen, IP65, rechargeable Li-ion battery, 1x set small-pipe & 1x standard transit time transducers + track, 6 m cable & case.	\$11,495.00	C
HDXNP-ZTS-NN	<b>ALL TRANSIT TIME</b> 4-20 mA output; Modbus TCP/IP communication, 1 GB on-board data logger (USB port) colour touchscreen, IP65, rechargeable Li-ion battery, basic kit plus large pipe transducers + tracks, 6 m cable & case.	413,430.00	C
HDXNP-ZHS-NN	<b>HYBRID</b> 4-20mA output; Modbus TCP/IP communications, 1GB on-board data logger (USB port) colour touchscreen, IP65, rechargeable Li-ion battery, basic kit and Doppler transducers + tracks, 6 m cable & case.	\$12,355.00	C
HDXNP-ZES-NN	<b>ENERGY</b> 4-20 mA output; Modbus TCP/IP communication, 1GB on-board data logger (USB port) colour touchscreen, IP65, rechargeable Li-ion battery, energy-basic kit and non-invasive RTDs + tracks, 6m cable & case.	\$11,815.00	C
HDXNP-ZES-NN	<b>FULL</b> 4-20mA output; Modbus TCP/IP communications, 1 GB on-board data logger (USB port) touchscreen, IP65, rechargeable Li-ion battery, full-includes all, transit time, doppler, RTDs and wall thickness gauge + tracks, 6m cable & case.	\$14,895.00	C

# Portable Hydraulic Flow Testers by Flo-tech®

**Flo-Tech™** portable hydraulic testers are compact and portable units, designed for fast, diagnostic trouble-shooting of mobile and stationary hydraulic systems.

**The Flo-Check®** USB Hydraulic system analyser utilises a data acquisition module to record the operating parameters of the hydraulics system and transfers them to the user's laptop computer, where multiple operating parameters (bi directional flow, pressure, temperature, power) may be monitored in real-time

## Uni-Directional

Series	Model	Description	Price	
PFM6-15	HF5110-PSI	Port size G 3/4 - flow range: 4-56 LPM	\$4,310.00	C
PFM6-30	HF5111-PSI	Port size G 3/4 - flow range: 7.5-113.6 LPM	\$4,495.00	C
PFM6-60	HF5112-PSI	Port size G 1 - flow range: 12-227 LPM	\$3,564.00	C
PFM6-85	HF5113-PSI	Port size G 1 - flow range: 15-321 LPM	\$3,671.00	C
PFM6-200	HF5114-PSI	Port size G 1 -1/2 - flow range: 26-757 LPM	\$4,180.00	C

## Uni-Directional

Series	Model	Description	Price	
PFM68D-60	HF5082-PSI	Port size SAE 16 - flow range: 12-227 LPM	\$4,119.00	C
PFM68D- 85	HF5083-PSI	Port size SAE 16 - flow range: 15-321 LPM	\$4,119.00	C
PFM68D-200	HF5084-PSI	Port size SAE 24 - flow range: 26-757 LPM	\$4,878.00	C

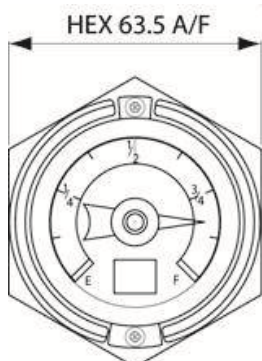
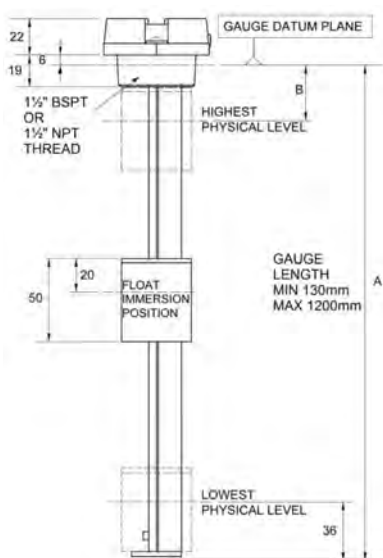
## USB System Analyser - ships with software, case, cables and manual

Model	Description	Price	
HF7160	Port size SAE 16 - flow range: 3-85 GPM	\$5,180.00	C
HF7161	Port size SAE 24 - flow range: 7-199.9 GPM	\$5,426.00	C
HF7162	Port size G 1 - flow range: 15-321 LPM	\$5,182.00	C
HF7163	Port size G 1 -1/2 - flow range: 26-757 LPM	\$5,426.00	C



# Mechanical Level Gauges by Fozmula®

Fozmula® in the design, development and manufacture of a wide range of electro-mechanical, mechanical and electronic specializes sensors and gauge's for equipment requiring liquid level, temperature and pressure measurement.

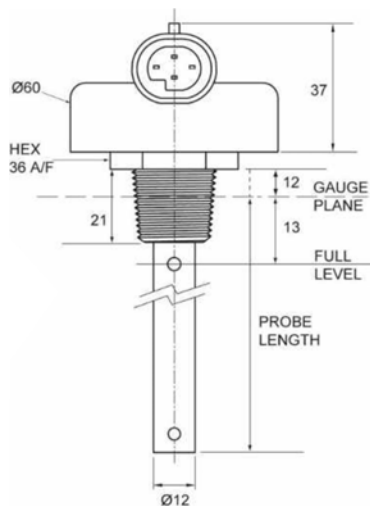


Mechanical Level Gauges 1-1/2"BSPT Connection (Not for use with petrol)			
Model	Description	Price	
FOZGLL63-0130	130mm depth	\$162.80	B
FOZGLL63-0165	165mm depth	\$162.80	B
FOZGLL63-0200	200mm depth	\$162.80	B
FOZGLL63-0230	230mm depth	\$167.00	B
FOZGLL63-0270	270mm depth	\$167.00	B
FOZGLL63-0300	300mm depth	\$173.00	B
POWGLL43-0350	350mm depth	\$173.00	B
FOZGLL63-0400	400mm depth	\$175.00	B
POWGLL43-0450	450mm depth	\$175.00	B
FOZGLL63-0500	500mm depth	\$175.00	B
POWGLL43-0600	600mm depth	\$178.00	B
POWGLL43-0700	700mm depth	\$188.00	B
POWGLL43-0800	800mm depth (NPT)	\$190.50	B
POWGLL43-0850	850mm depth	\$190.50	B
FOZGLL63-1000	1000mm depth	\$211.10	B
FOZGLL63-1100	1100mm depth	\$226.60	B
FOZGLL63-1200	1200mm depth	\$247.20	B
FOZGLL63-1400	1400mm depth	\$262.60	B
FOZCA0676	Replacement dial for formula POWGLL43 + FOZGLL63	\$20	C

Model	Description	Price	
FOZGLL28/08	Top mount mechanical level gauge with 1m float arm	\$200.80	B
FOZGLL28/09	Side mount mechanical level gauge with 1m float arm	\$200.80	B
FOZG/MP2	Weld- on flange for side mount level gauge	\$72.00	B

# Liquid Level Sensor Variable Resistance by Fozmula®

The **Model TLL130** series is designed for use in water, coolant or fuel/oil tanks. It provides a factory set variable resistive, voltage or PWM (Pulse Width Modulated) output suitable for industry standard fuel gauge's or connecting into PLCs. The device has no moving parts and can be mounted at any angle above horizontal as long as it covers the whole depth of the tank. The unit cannot be inverted. An optional manual calibration feature is available.



**Liquid Level TLL130 Output 10-180 Ohms, 1/2"BSPT Connection**

Model	Description	Price	
FOZTLL130-0150	150 mm diesel	\$194.70	B
FOZTLL130-0200	200 mm diesel	\$194.70	B
FOZTLL130-0225	225 mm diesel	\$194.70	B
FOZTLL130-0250	250 mm diesel	\$194.70	B
FOZTLL130-0300	300 mm diesel	\$194.70	B
FOZTLL130-0350	350 mm diesel	\$194.70	B
FOZTLL130-0400	400 mm diesel	\$194.70	B
FOZTLL130-0450	450 mm diesel	\$214.20	B
FOZTLL130-0500	500 mm diesel	\$214.20	B
FOZTLL130-0600	600 mm diesel	\$214.20	B
FOZTLL130-0700	700 mm diesel	\$231.75	B
FOZTLL130-0750	750 mm diesel	\$231.75	B
FOZTLL130-0800	800 mm diesel	\$231.75	B
FOZTLL130-0850	850 mm diesel	\$273.00	B
FOZTLL130-0900	900 mm diesel	\$273.00	B
FOZTLL130-0950	950 mm diesel	\$273.00	B
FOZTLL130-01000	1000 mm diesel	\$273.00	B
FOZTLL130-01100	1100 mm diesel	\$293.50	B
FOZTLL130-01200	1200 mm diesel	\$293.50	B
FOZTLL130-01400	1400 mm diesel	\$335.00	B
FOZTLL130-01600	1600 mm diesel	\$335.00	B
FOZTLL130-02000	2000 mm diesel	\$335.00	B

FOZF/TT Flange	SAE 5 hole Flange to suit TLL130 and TLL171	\$20.00	B
----------------	---	---------	---

FOZC/K1	4 Pin Metri - Pak 158 plug	\$10.00	C
---------	----------------------------	---------	---

Liquids compatible with the construction materials, typically diesel, petrol, kerosene and water. Not suitable for fuels which contain Toluene

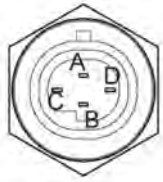
## TLL200 Hydrostatic/Submersible Liquid Level SensorTT

Model	Description	Price	
FOZTLL200-1500-2000	1500 - 1999 mm deep tank, 4-20 mA output	\$457.00	B
FOZTLL200-1500-2500	1500 - 2500 mm deep tank, 4-20 mA output	\$472.00	B
FOZTLL200-1500-2999	1500 - 2999 mm deep tank, 4-20 mA output	\$486.00	B

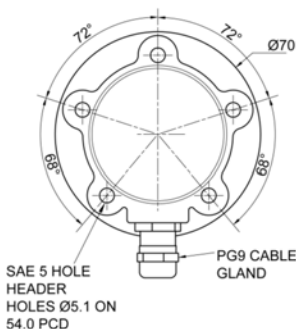
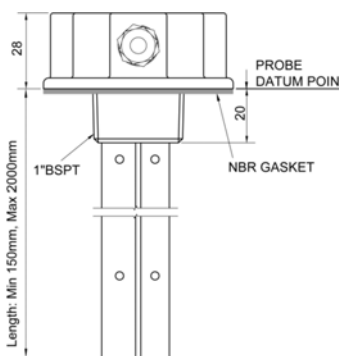
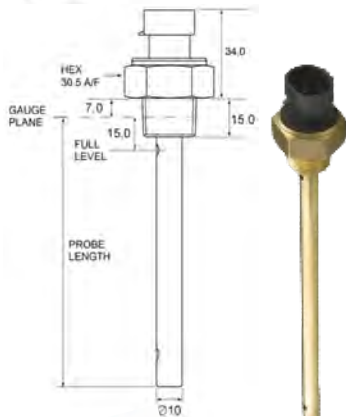


# Fuel Level Sensor 4-20mA by Fozmula®

The **Model TLL171 & TLL352** series are a range of highly advanced sensors designed to continuously measure the height of the fuel level.



- A = Ground
- B = 4-20 mA
- C = 4-20 mA return (Ground)
- D = V+



## TLL171 output 4-20mA Thread 1/2" BSP

Model	Description	Price	
FOZTLL171-0150	150mm - Diesel	\$187.00	B
FOZTLL171-0175	175mm - Diesel	\$187.00	B
FOZTLL171-0200	200mm - Diesel	\$187.00	B
FOZTLL171-0250	250mm - Diesel	\$187.00	B
FOZTLL171-0300	300mm - Diesel	\$197.00	B
FOZTLL171-0350	350mm - Diesel	\$197.00	B
FOZTLL171-0400	400mm - Diesel	\$197.00	B
FOZTLL171-0450	450mm - Diesel	\$197.00	B
FOZTLL171-0500	500mm - Diesel	\$197.00	B
FOZF/T1 FLANGE	SAE 5 hole Flange to suit TLL130 and TLL171	\$20.00	B
FOZC/K1	4 Pin Metri - Pak 158 plug	\$10.00	C

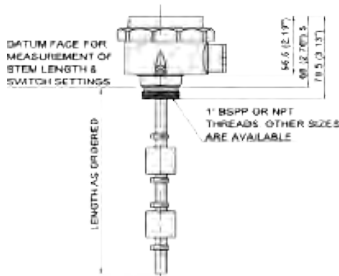
## TLL 352 Output 4-20mA Thread SAE 5 Hole Flange and 1" BSP

Model	Description	Price	
FOZTLL352-0600	600mm - All Liquids	\$261.00	B
FOZTLL352-0650	650mm - All Liquids	\$261.00	B
FOZTLL352-0700	700mm - All Liquids	\$261.00	B
FOZTLL352-0800	800mm - All Liquids	\$278.00	B
FOZTLL352-0900	900mm - All Liquids	\$278.00	B
FOZTLL352-1000	1000mm - All Liquids	\$308.00	B
FOZTLL352-1100	1100mm - All Liquids	\$308.00	B
FOZTLL352-1250	1250mm - All Liquids	\$369.00	B

# Vertical Float Level Switches by Fozmula®



Terminal Box -ABS @IP67  
Header - 1"BSPP Brass  
Stem - 32mm Brass  
Float - Polypropylene  
Contact Rating - 1AMP



N Switches	Stem Length	Price	
FOZTLL70S1-0500	1X SW below 500mm	\$294.00	B
FOZTLL70S1-1000	1X SW 501-1000mm	\$301.00	B
FOZTLL70S1-1500	1X SW 1000-1500mm	\$316.00	B
FOZTLL70S1-2000	1X SW 1500-2000mm	\$330.00	B
FOZTLL70S2-0500	2X SW below 500mm	\$322.00	B
FOZTLL70S2-1000	2X SW 501-1000mm	\$329.00	B
FOZTLL70S2-1500	2X SW 1000-1500mm	\$343.00	B
FOZTLL70S2-2000	2X SW 1500-2000mm	\$410.00	B
FOZTLL70S3-0500	3X SW below 500mm	\$359.00	B
FOZTLL70S3-1000	3X SW 501-1000mm	\$366.00	B
FOZTLL70S3-1500	3X SW 1000-1500mm	\$380.00	B
FOZTLL70S3-2000	3X SW 1500-2000mm	\$420.00	B
FOZTLL70S4-0500	4X SW below 500mm	\$401.00	B
FOZTLL70S4-1000	4X SW 501-1000mm	\$409.00	B
FOZTLL70S4-1500	4X SW 1000-1500mm	\$423.00	B
FOZTLL70S4-2000	4X SW 1500-2000mm	\$449.00	B
FOZTLL70S5-0500	5X SW below 500mm	\$445.00	B
FOZTLL70S5-1000	5X SW 501-1000mm	\$451.00	B
FOZTLL70S5-1500	5X SW 1000-1500mm	\$466.00	B
FOZTLL70S5-2000	5X SW 1500-2000mm	\$475.00	B
FOZTLL70S6-0500	6X SW below 500mm	\$473.00	B
FOZTLL70S6-1000	6X SW 501-1000mm	\$480.00	B
FOZTLL70S6-1500	6X SW 1000-1500mm	\$494.00	B
FOZTLL70S6-2000	6X SW 1500-2000mm	\$570.00	B

**Model TLL122 / TLL124 Float Switch– Kit 1"BSPP header. Polypropylene float, use with diesel, petrol, water, 250 VAC/DC, 1A.-20 +70c (client cut to length)**

Model	Description	Price	
FOZTLL122/01	Adjustable Float level Switch up to <b>500mm</b> long	\$125.00	B
FOZTLL122/11	Adjustable Float level Switch up to <b>1000mm</b> long	\$149.00	B
FOZTLL124/01	Dual Adjustable Float Level Switch up to <b>500mm</b> long	\$199.00	B
FOZTLL124/11	Dual Adjustable Float Level Switch up to <b>1000mm</b> long	\$219.00	B





# Float Level Switches by Fozmula®



New Model	Description	Price	
GTSLS-01P	<b>Top Mounted</b> ON or OFF for float rise, polypropylene resin & foam construction, max switching 100VDC/0.5A/10W, operating temp 0..80degC. <b>Not suitable for fuel.</b>	\$27.00	B
GTSLS-02P	<b>Side Mounted</b> ON or OFF for float rise, polypropylene resin & foam construction, max switching 200VDC/1A/50W, operating temp 0..105degC. <b>Not suitable for fuel.</b>	\$45.00	B
GTSLS-07P	Polypropylene, 1/2" BSPT, externally mounted float switch with 1500mm long flying lead, 50W 250VAC/200VDC SPST, N/C non-reversible	\$45.00	B
POW T/E- C/12	Miniature Float Switch 1/8" BSP Brass/ Polypropylene.	\$45.00	B
GTSLS-035	<b>Top Mounted</b> ON or OFF for float rise, stainless steel construction, max switching -200VDC/1A/50W, operating temp -20..120degC.	\$60.50	B
GTSLS-05	<b>Side Mounted</b> ON or OFF for float rise, stainless steel construction, max switching -200VDC/1A/50W, operating temp -20..120degC.	\$73.00	B
GTSLS-065	<b>Side Mounted</b> ON or OFF for float rise, 316 S/S construction, max switching -200VDC/1A/50W, operating temp -20..120degC. 1/2" BSPT connection.	\$111.20	B
FOZTLL17/11A	304 S/S body & float arm, heavy duty switch, 1/2" BSPP thread, Buna N float, 127mm intrusion, with mini DIN style connector. N/O or N/C, Max Voltage: 240V, Max Current: 1A, Max Power 10VA. <b>CLEARANCE</b>	\$87.00	C



New Model	Old Model	Description	Price	
FOZS285/03	FOZS85/03	Coolant level switch 1/4" NPT, no liquid closed 10 sec. delay	\$149.90	A
FOZS285/04	FOZS85/04	Coolant level switch 1/2" BSPT, no liquid closed 10 sec. delay	\$149.90	A
FOZS285/05	FOZS85/05	Coolant level switch 1/2" NPT, no liquid open 10 sec. delay	\$149.90	A
FOZS285/211	FOZS85/110	Coolant level switch 1/4" NPT, no liquid closed. no delay.	\$149.90	B
FOZS285/217	FOZS85/213	Coolant level switch 1/2" NPT, no liquid open 10 sec. delay	\$149.90	B
TBA	FOZS85/14	Coolant level switch 1/2" BPT, no liquid open 10 sec. delay	\$149.90	B
FOZS285/210	FOZS85/80	Coolant level switch 1/4" NPT, no liquid closed 10 sec. delay	\$149.90	B
FOZS285/202A	-	Coolant level switch 1/4" NPT, no liquid closed 10 sec. delay	\$149.90	B
FOZS285/213	-	Coolant level switch 1/2" NPT, no liquid closed 10 sec. delay	\$149.90	B
FOZS286/03	FOZS286/03	Oil level switch 1/4" NPT, no liquid closed 10 sec. delay	\$159.90	B
FOZS286/04	FOZS286/04	Oil level switch 1/2" BSPT, no liquid closed 10 sec. delay	\$159.90	B
FOZS286/13	FOZS286/13	Oil level switch 1/4" NPT, no liquid open 10 sec. delay	\$159.90	B
FOZS286/14	FOZS286/14	Oil level switch 1/2" BSPT, no liquid open 10 sec. delay	\$159.90	B

# Level Senders & Gauges by Kus®



Fuel Level Gauge



Water Level Gauge



4-20mA Gauge



S3 Sender



Model	Description	Price	
KUS CPFR-BB-0-190	Fuel gauge 52mm, 0-190 Ohms, 12/24V, Black Bezel	\$76.00	A
KUS CPWR-BB-0-190	Water level gauge 52mm, 0-190 Ohm, 12/24V, Black Bezel	\$76.00	A
KUS CEFR-BB-4-20	Digital fuel gauge 52mm, 4-20 mA input	\$76.00	A

## S3

KUS S3-E0150	Tank level sender, 0-190 Ohms, 150mm, 1-1/4"BSPP	\$67.60	B
KUS S3-E0175	Tank level sender, 0-190 Ohms, 175mm, 1-1/4"BSPP	\$67.60	B
KUS S3-E0200	Tank level sender, 0-190 Ohms, 200mm, 1-1/4"BSPP	\$67.60	B
KUS S3-E0250	Tank level sender, 0-190 Ohms, 250mm, 1-1/4"BSPP	\$67.60	B
KUS S3-E0275	Tank level sender, 0-190 Ohms, 275mm, 1-1/4"BSPP	\$67.60	B
KUS S3-E0300	Tank level sender, 0-190 Ohms, 300mm, 1-1/4"BSPP	\$67.60	B
KUS S3-E0350	Tank level sender, 0-190 Ohms, 350mm, 1-1/4"BSPP	\$67.60	B
KUS S3-E0400	Tank level sender, 0-190 Ohms, 400mm, 1-1/4"BSPP	\$78.00	B
KUS S3-E0450	Tank level sender, 0-190 Ohms, 450mm, 1-1/4"BSPP	\$78.00	B
KUS S3-E0500	Tank level sender, 0-190 Ohms, 500mm, 1-1/4"BSPP	\$78.00	B
KUS S3-E0600	Tank level sender, 0-190 Ohms, 600mm, 1-1/4"BSPP	\$88.40	B
KUS S3-E0700	Tank level sender, 0-190 Ohms, 700mm, 1-1/4"BSPP	\$88.40	B
KUS S3-E0800	Tank level sender, 0-190 Ohms, 800mm, 1-1/4"BSPP	\$98.80	B
KUS S3-E0900	Tank level sender, 0-190 Ohms, 900mm, 1-1/4"BSPP	\$98.80	B
KUS S3-E1100	Tank level sender, 0-190 Ohms, 1100mm, 1-1/4"BSPP	\$109.20	B
KUS S3-E1200	Tank level sender, 0-190 Ohms, 1200mm, 1-1/4"BSPP	\$109.20	B
KUS S3-E1500	Tank level sender, 0-190 Ohms, 1500mm, 1-1/4"BSPP	\$130.00	B
KUS S3-E2000	Tank level sender, 0-190 Ohms, 2000mm, 1-1/4"BSPP	\$186.20	B
KUS 163010	S3 Mounting flange plastic - top, 5 hole	\$6.20	B

## S5

KUS S5-E0150	Tank level sender, 0-190 Ohms, 150mm, SAE 5 hole flange mount	\$67.60	B
KUS S5-E0200	Tank level sender, 0-190 Ohms, 200mm, SAE 5 hole flange mount	\$67.60	B
KUS S5-E0250	Tank level sender, 0-190 Ohms, 250mm, SAE 5 hole flange mount	\$67.60	B
KUS S5-E300	Tank level sender, 0-190 Ohms, 300mm, SAE 5 hole flange mount	\$67.60	B
KUS S5-E350	Tank level sender, 0-190 Ohms, 350mm, SAE 5 hole flange mount	\$67.60	B
KUS S3-E0400	Tank level sender, 0-190 Ohms, 400mm, SAE 5 hole flange mount	\$78.00	B
KUS S3-E0450	Tank level sender, 0-190 Ohms, 450mm, SAE 5 hole flange mount	\$78.00	B
KUS S3-E500	Tank level sender, 0-190 Ohms, 500mm, SAE 5 hole flange mount	\$78.00	B

## 4-20mA

KUS S3-E0400	Tank level sender, 0-190 Ohms, 400mm, 1-1/4"BSPP	<b>CLEARANCE</b>	\$78.00	B
KUS S3-E0450	Tank level sender, 0-190 Ohms, 450mm, 1-1/4"BSPP	<b>CLEARANCE</b>	\$78.00	B
KUS S3-E0500	Tank level sender, 0-190 Ohms, 500mm, 1-1/4"BSPP	<b>CLEARANCE</b>	\$78.00	B
KUS S3-E0600	Tank level sender, 0-190 Ohms, 600mm, 1-1/4"BSPP	<b>CLEARANCE</b>	\$88.40	B

# Level Senders & Gauges by Kus®



All MGCS's have a Low Level Switch at 12.5% of length

Model	Description	Price	
KUS MGCS-0200	Mechanical Tank Level Sender with gauge 200mm, 1-1/2" BSP, <b>0-190 Ohms</b>	\$130.00	B
KUS MGCS-0250	Mechanical Tank Level Sender with gauge 250mm, 1-1/2" BSP, <b>0-190 Ohms</b>	\$132.60	B
KUS MGCS-0275	Mechanical Tank Level Sender with gauge 275mm, 1-1/2" BSP, <b>0-190 Ohms</b>	\$132.60	B
KUS MGCS-0300	Mechanical Tank Level Sender with gauge 300mm, 1-1/2" BSP, <b>0-190 Ohms</b>	\$135.30	B
KUS MGCS-0400	Mechanical Tank Level Sender with gauge 400mm, 1-1/2" BSP, <b>0-190 Ohms</b>	\$135.30	B
KUS MGCS-0500	Mechanical Tank Level Sender with gauge 500mm, 1-1/2" BSP, <b>0-190 Ohms</b>	\$135.30	B
KUS MGCS-0600	Mechanical Tank Level Sender with gauge 600mm, 1-1/2" BSP, <b>0-190 Ohms</b>	\$135.30	B
KUS MGCS-0700	Mechanical Tank Level Sender with gauge 700mm, 1-1/2" BSP, <b>0-190 Ohms</b>	\$140.50	B
KUS MGCS-0800	Mechanical Tank Level Sender with gauge 800mm, 1-1/2" BSP, <b>0-190 Ohms</b>	\$140.50	B
KUS MGCS-0900	Mechanical Tank Level Sender with gauge 900mm, 1-1/2" BSP, <b>0-190 Ohms</b>	\$150.90	B
KUS MGCS-1000	Mechanical Tank Level Sender with gauge 1000mm, 1-1/2" BSP, <b>0-190 OHMS</b>	\$150.90	B

# Engine Monitoring by Kus®



Model	Description	Price	
KUS CMHB-BB-4KL	Tachometer 85mm, 4000 RPM, 12/24V, Black Bezel, Speed Ratio 1 - 10	\$205.00	A
KUS CMHB-BB-3KL2	Tachometer 85mm, 3000 RPM, 12/24V, Black Bezel Speed Ratio 0.5 - 250	\$205.00	A
KUS CMHB-BB-4KL2	Tachometer 85mm, 4000 RPM, 12/24V, Black Bezel Speed Ratio 0.5 - 250	\$250.00	A
KUS KE10010	Magnetic pick up M16x 1.5, tacho sensor	\$92.60	B
KUS KE10012	Magnetic pick up 5/8" UNF, tacho sensor	\$92.60	B
KUS KE10065	Magnetic pick up M18x 1.5, tacho sensor	\$92.60	B
KUS KE10066	Magnetic pick up 3/4" UNF, tacho sensor	\$92.60	B
KUS CPPR-BB-0-5	Oil pressure gauge 52mm, 0-5 bar, 12/24V, Black Bezel	\$76.00	A
KUS CPPR-BB-0-10	Oil pressure gauge 52mm, 0-10 bar, 12/24V, Black Bezel	\$76.00	A
KUS KE21104	Pressure sender, 5 bar, 1/8" NPT, alarm 0.8bar	\$68.00	A
KUS KE21103	Pressure sender, 10 bar, 1/8" NPT, alarm 0.8bar	\$68.00	A
KUS CPTR-BB-40-120	Temperature gauge 52mm, 40-120C, 12/24V, Black Bezel	\$76.00	A
KUS CPYR-BB-50-150	Temperature gauge 52mm, 50-150C, 12/24V, Black Bezel	\$76.00	A
KUS KE00016	Temperature sender 120degC, M14x1.5, above earth	\$23.00	B
KUS KE00006	Temperature sender 120degC, 1/8" NPT	\$16.00	B
KUS KE01012	Temperature sender 150degC, M14x 1.5, above earth	\$23.00	B
KUS KE01006	Temperature sender 150degC, 1/8" NPT	\$16.00	B
KUS CPVR-BB-18-32	Voltmeter 52mm, 18-32V, Black Bezel	\$76.00	A
KUS CPVR-BB-8-16	Voltmeter 52mm, 8-16V, Black Bezel	\$76.00	A
KUS CCUR-BB	Hour meter 52mm, 12/24V, Black Bezel	\$83.00	A
KUS CMTR-BN-0-800	Pyrometer 0-800 deg C, 52mm	\$93.00	B

## Deumo Hand Held Mechanical Tachometers by DUEMO®

This precision measuring instrument offers high accuracy, maintenance free operation, simple and easy scale reading, change over of measuring range, independent sense of rotation and the certainty of quick and precise information.



Model	Description	Price	
DEUMO 1	40/50,000 RPM 50...5000m/min	\$531.00	D
DEUMO 3	16/20,000 RPM 20...2000m/min	\$554.80	D

### ACCESSORIES AND SPARE PARTS



Model	Description	Paper	
DEUMO 4WH2U21301	Spare parts kit, extension rod, 2x rubber tip 18mm including 1x socket, 3x rubber sleeve, 3x rubber tip 8mm, rubber follower cone including socket	\$64.00	D
DEUMO Attachment Kit	Fitting attachments kits including rolling wheel, 8mm tip including socket, rubber following cone including socket	\$72.00	D
DEUMO WH2U20301	Rolling wheel for RPM to m conversion	\$21.50	D
DEUMO WZ13F	Extension rod	\$10.50	D
DEUMO WZ13H	Rubber tip (8mm) & socket	\$21.50	D
DEUMO WH2U205	Rubber follower cone & socket	\$21.50	D

## Deumo Hand Held Electronic Tachometers by DUEMO®



Model	Description	Price	
MS6208B	Electronic Tachometer, LCD Display, Storage, Measuring Scope of 50-99999, Replaceable Battery	\$85.00	B

# 40mm & 50MM Gauges

Pressure gauges can be used in all applications where liquid or gaseous media are not highly viscous and do not attack copper alloys or crystallize.

All standard pressure gauges comply with general international recommendations for measuring systems and take requirements for specific applications and technical standards into consideration.

## 40 mm Gauges



## 50 mm Gauges



Bottom entry



Rear Entry

40mm, S/S Case, Brass Wetted Parts, 1/8" BSPT Bottom Conn.			
Model	Description	Price	
GTS40-RE-75	0..1000 kPa/145 psi <b>glycerin filled</b>	\$41.80	A
GTS40-RE-79	0..4000 kPa/580 psi <b>glycerin filled</b>	\$41.80	A

50mm, S/S Case, Brass Wetted Parts, 1/8" BSPT Bottom Conn.			
GTS50-BE-16	Vacuum - 100..0 kPa/-30inHg	\$51.50	A
GTS50-BE-69	0..100 kPa/14.5 psi glycerin filled	\$51.50	A
GTS50-BE-72	0..250 kPa/36 psi glycerin filled	\$51.50	A
GTS50-BE-73	0..400 kPa/58 psi glycerin filled	\$51.50	A
GTS50-BE-74	0..600 kPa/87 psi glycerin filled	\$51.50	A
GTS50-BE-64	0..800 kPa/115 psi glycerin filled	\$51.50	A
GTS50-BE-75	0..1000 kPa/145 psi glycerin filled	\$51.50	A
GTS50-BE-76	0..1600 kPa/230 psi glycerin filled	\$51.50	A
GTS50-BE-78	0..2500 kPa/360 psi glycerin filled	\$51.50	A

50mm, S/S Case, Brass Wetted Parts, 1/8" BSPT Bottom Conn, C/W Panel Clamp			
GTS50-RE-16	Vacuum - 100..0 kPa glycerin filled	\$51.50	A
GTS50-RE-69	0..100 kPa/14.5 psi glycerin filled	\$51.50	A
GTS50-RE-72	0..250 kPa/36 psi glycerin filled	\$51.50	A
GTS50-RE-73	0..400 kPa/58 psi glycerin filled	\$51.50	A
GTS50-RE-74	0..600 kPa/87 psi glycerin filled	\$51.50	A
GTS50-RE-64	0..800 kPa/115 psi glycerin filled	\$51.50	A
GTS50-RE-75	0..1000 kPa/145 psi glycerin filled	\$51.50	A
GTS50-RE-76	0..1600 kPa/230 psi glycerin filled	\$51.50	A
GTS50-RE-78	0..2500 kPa/360 psi glycerin filled	\$51.50	A

GTS50-Front-Flange	3 Hole Front Flange	\$10.30	A
--------------------	---------------------	---------	---

## Pressure Gauges

### ABS Plastic Case, Bottom Conn

Model	Description	Price	
P1430L516008	Vacuum - 100.0kPa/-30inHg	\$28.90	A
P1430L567007	0..60 kPa/8.7 psi	\$28.90	A
P1430L576010	0..1600 kPa/230 psi	\$28.90	A
P1444L573015	0..400 kPa/230 psi, 100mm, 3/8 "BSPT	\$42.50	A
<b>AW002X110776</b>	<b>Max indicating pointer to suit 1430</b>	\$10.80	C



## Medical Gauges

P1430L516017	Vacuum Gauges 63mm, "Twin-0-VAC", 750mmHg/-100.0 kPa, S/S case electro polished, G1/4"BSPP chrome bottom conn, yellow dial	\$47.20	A
P1403L679507	Resuscitator /O2 Regulator. Content Gauge 52mm, 0-30,000 kPa, cleaned for OXYGEN use, white case, safety blow out back, nickel plated bottom 1/4"NPT conn, 0-3mm dial, restrictor	\$54.00	A



## Capsule Gauges

### Capsule Gauges 63mm, Black Steel Case, G1/4"BSPP Boom Conn. 10 x Over Pressure Safety

AX.D2.2BM-0-10 kPa/psi	Capsule 63mm 10 kPa/1.45 psi	\$145.00	B
AX.D2.2BM-0-16 kPa/psi	Capsule 63mm 16 kPa/1.45 psi	\$145.00	B
AX.D2.2BM-0-25 kPa/psi	Capsule 63mm 25 kPa/1.45 psi	\$145.00	B
AX.D2.2BM-0-40 kPa/psi	Capsule 63mm 40 kPa/1.45 psi	\$145.00	B
P1553L569006	Capsule 0..10 kPa/1.45 psi	\$171.00	B
P1553M066003	Capsule 400 mbar	\$171.00	B
P2080L484006	Capsule - 10..0..+16kPa/1.45 psi <b>ALL S/S</b>	\$503.60	B



### Capsule Gauges 100mm, Stainless Case, G1/2"BSPP Boom Conn. 10 x Over Pressure Safety

AX.F2.4BM-0-6 kPa/psi	Capsule 6 kPa/0.87psi	\$155.00	B
AX.F2.4BM-0-10 kPa/psi	Capsule 10 kPa/1.45psi	\$155.00	B
AX.F2.4BM-0-16 kPa/psi	Capsule 16 kPa/2.32psi	\$155.00	B
AX.F2.4BM-0-25 kPa/psi	Capsule 25 kPa/3.63psi	\$155.00	B
AX.F2.4BM-0-40 kPa/psi	Capsule 40 kPa/5.8psi	\$155.00	B
P1563M063003	Capsule 0..100 mbar	\$199.00	A
P1563M064003	Capsule 0..160 mbar	\$199.00	A
P1563M065003	Capsule 0..250 mbar	\$199.00	A



# Model P1454 Heavy Duty Pressure Gauges 63mm Bottom

The glycerin filling of the case protects the measuring system against wear and tear from pulsating pressures and mechanical vibration; at the same time it provides lubrication of the moving parts.

S/S Case, Brass Weed Parts, Boom Thread Connection, Glycerine Filled, Accuracy Class 1.6.

Datasheet DE205



3/8" BSPT	KPa/psi scale	1/2" BSPP (G1/2")	Bar/psi scale	Price	
P1454L516007	Vacuum -100..0kPa/-30inHg	P1454B016001	Vacuum -1..0	\$64.80	A
P1454L543007	Compound -100kPa/-30Hg... +150 kPa/psi	P1454B043001	-1..+1.5 bar	\$64.80	A
P1454L544007	Compound -100kPa/-30inHg... +300 kPa/psi	P1454B044001	-1..+3 bar	\$64.80	A
P1454L545006	Compound-100kPa/-30Hg...+500 kPa/psi	P1454B045001	-1..+5 bar	\$64.80	A
P1454L546006	Compound-100kPa/-30Hg...+900 kPa/psi	P1454B046901	-1..+9 bar	\$64.80	A
P1454L569010	0..100 kPa/14.5 psi	P1454B069002	0..1 bar/ 14.5 psi	\$61.40	A
P1454L570007	0..160 kPa/23 psi			\$61.40	A
P1454L572010	0..250 kPa/36 psi	P1454B072002	0..2.5 bar/ 36 psi	\$61.40	A
P1454L573009	0..400 kPa/58 psi	P1454B073002	0..4 bar/ 58psi	\$61.40	A
P1454L574011	0..600 kPa/87 psi	P1454B074002	0..6 bar/ 87 psi	\$61.40	A
P1454L644006	0..800 kPa/115 psi			\$61.40	A
P1454L575011	0..1000 kPa/145 psi	P1454B075002	0..10 bar/145 psi	\$61.40	A
P1454L576007	0..1600 kPa/230 psi	P1454B076002	0..16 bar/230 psi	\$61.40	A
P1454L578010	0..2500 kPa/360 psi	P1454B078002	0..25 bar/360 psi	\$61.40	A
P1454L579006	0..4000 kPa/580 psi	P1454B079002	0..40 bar/ 580 psi	\$61.40	A
P1454L580007	0..6000 kPa/870 psi	P1454B080002	0..60 bar/ 870 psi	\$64.80	A
P1454L596007	0..10000 kPa/1450 psi	P1454B081002	0..100 bar/1450 psi	\$64.80	A
P1454L582006	0..16000 kPa/2300 psi	P1454B082002	0..160 bar/3600 psi	\$64.80	A
P1454L584008	0..25000 kPa/3600 psi	P1454B084002	0..250 bar/3600 psi	\$64.80	A
		P1454B085013	0..315 bar/4500 psi	\$64.80	A
P1454L586007	0..40000 kPa/5800 psi	P1454B086002	0..400 bar/5800 psi	\$64.80	A
P1454L587006	0..60000 kPa/8700 psi	P1454B087002	0..600 bar/8700 psi	\$88.80	A
		P1454B088002	0..1000 bar/14500 psi	\$88.80	A
<b>P1454P383025</b>	<b>0..10000 psi SINGLE SCALE, 1/4" NPT</b>			<b>\$101.20</b>	<b>A</b>
<b>P1454P384015</b>	<b>0..15000 psi SINGLE SCALE, 1/4" NPT</b>			<b>\$101.20</b>	<b>A</b>

## Accessories

A1302X010030	G1/4 BSPP female to 1/4th NPT male adppter rated to 600 bar	\$9.20	C
A1314X020004	G1/4" BSPP compression washer	\$1.55	C
A5094X001048	S/S Rear flange- <b>WELD ON</b>	\$23.30	A

# Model P1454 Heavy Duty Pressure Gauges 63mm Rear by tecsis®

The mounting bracket offers a possibility of quick modification for panel mounting.

304 S/S Case, Brass Weed Parts, Rear Thread Connection, Glycerine Filled, Accuracy Class 1.6. Datasheet DE205



1/4" BSPT	KPa/psi scale	1/4" BSPP	Bar/psi scale	Price	
P1453L516008	Vaccum-100..0kPa/-30inHg	P1453B016002	-1.0 bar	\$77.80	A
P1453L543008	Compound -100..+150 kPa/inHg				
P1453L545012	Compound -100..+500 kPa/inHg	P1453B045001	-1+5 bar	\$77.80	A
P1453L546006	Compound -100..+900 kPa/inHg	P1453B049902	-1+15 bar	\$77.80	A
P1453L569007	0..100 kPa/14.5 psi	P1453B069004	0..1 bar	\$77.80	A
P1453L570006	0..160 kPa/23 psi				
P1453L572007	0..250 kPa/36 psi	P1453B072004	0..2.5 bar	\$74.30	A
P1453L573010	0..400 kPa/58 psi	P1453B073004	0..4 bar	\$74.30	A
P1453L574012	0..600 kPa/87 psi	P1453B074004	0..6 bar	\$74.30	A
P1453L644007	0..800 kPa/115 psi				
P1453L575010	0..1000 kPa/145 psi	P1453B075004	0..10 bar	\$74.30	A
P1453L576008	0..1600 kPa/230 psi	P1453B076004	0..16 bar	\$74.30	A
P1453L578007	0..2500 kPa/360 psi	P1453B078004	0..25 bar	\$74.30	A
P1453L579006	0..4000 kPa/580 psi	P1453B079004	0..40 bar	\$74.30	A
P1453L580006	0..6000 kPa/870 psi	P1453B080004	0..60 bar	\$77.80	A
P1453L581006	0..10000 kPa/1450psi	P1453B081004	0..100 bar	\$77.80	A
P1453L582006	0..16000 kPa/2300psi	P1453B082004	0..160 bar	\$77.80	A
P1453L584008	0..25000 kPa/3600psi	P1453B084004	0..250 bar	\$77.80	A
		P1453B085017	0..315 bar	\$77.80	A
P1453L586007	0..40000 kPa/5800 psi	P1453B086004	0..400 bar	\$77.80	A
		P1453B087004	0..600 bar	\$102.40	A

## Accessories

A1302X010030	Brass G1/4"BSPP female to 1/4"NPT male, rated to 600bar	\$9.20	C
A1314X020004	G1/4" BSPP compression washer	\$1.55	C
AW001X195751	S/S 3 Hole front flange push - on	\$23.30	A
A6442X004001	Panel Clamp	\$2.55	C



# Model P1776 / P1778 Heavy Duty Pressure Gauges 100mm Bottom

by tecsis®

The Heavy Duty pressure gauges with optional glycerine filling are used at measuring points with high dynamic alternating loads and strong vibrations and pulses.

S/S Case, Brass Weed Parts, Boom Thread Connection, Accuracy Class 1

Datasheet DE205



3/8" BSPT	KPa/psi scale	1/2" BSPP (G1/2")	Bar scale	Price	
P1776L516006	-100..0 kPa/-30inHg	P1778B016002	-1..0 bar	\$159.50	A
P1776L543007	-100..+150 kPa/inHg	P1776B043002	-1..+1.5 bar	\$159.50	A
P1776L544007	-100..+300 kPa/ psi	P1776B044002	-1..+3 bar	\$159.50	A
P1776L545006	-100..+500 kPa/ psi	P1776B045002	-1..+5 bar	\$159.50	A
P1776L546501	-100..+900 kPa/inHg	P1776B046002	-1..+9 bar	\$159.50	A
P1776L567500	0..60 kPa/8.7 psi	P1776B067002	0.6 bar	\$155.00	A
P1776L569006	0..100 kPa/14.5 psi	P1776B069002	1 bar	\$155.00	A
P1776L570006	0..160 kPa/23 psi	P1776B070002	1.6 bar	\$155.00	A
P1776L572007	0..250 kPa/36 psi	P1776B072002	2.5 bar	\$155.00	A
P1776L573006	0..400 kPa/58 psi	P1776B073002	4 bar	\$155.00	A
P1776L574006	0..600 kPa/87 psi	P1776B074002	6 bar	\$155.00	A
P1776L644007	0..800 kPa/115 psi				
P1776L575006	0..1000 kPa/145 psi	P1776B075002	10 bar	\$155.00	A
P1776L576006	0..1600 kPa/230 psi	P1776B076002	16 bar	\$155.00	A
P1776L578006	0..2500 kPa/360 psi	P1776B078010	25 bar	\$155.00	A
P1776L579006	0..4000 kPa/580 psi	P1776B079002	40 bar	\$155.00	A
P1776L580006	0..6000 kPa/870 psi	P1776B080002	60 bar	\$174.30	A
P1776L581006	0..10000 kPa/1450 psi	P1776B081002	100 bar	\$174.30	A
P1778L582008	0..16000 kPa/2300 psi	P1776B082002	160 bar	\$174.30	A
P1776L584006	0..25000 kPa/3600 psi	P1776B084015	250 bar	\$174.30	A
P1776L586006	0..40000 kPa/5800 psi	P1776B086002	400 bar	\$174.30	A
P1776L587006	0..60000 kPa/8700 psi	P1776B087010	600 bar	\$174.30	A

## Accessories

AW001X470752	S/S Rare flange - <b>WELD ON</b> P1776	\$25.50	A
A5094X002007	S/S Rare flange - <b>WELD ON</b> P1778	\$25.50	A
A6527X016003	S/S steel case with rare flange (for use with P1778's ONLY)	\$94.20	A

# Model P1777 / P1779 Heavy Duty Pressure Gauges 100mm Rear

by tecsis®

The modern modular construction system with an O-ring sealing system, tried and tested for many years, ensures a high level of functional safety and a long service life.

S/S Case, Brass Weed Parts, Rear Thread Connection with Panel Clamp, Accuracy Class 1

Datasheet DE206



3/8" BSPT	KPa/psi scale	1/2" BSP (G1/2")	Bar scale	Price	
P1777L516006	-100..0 kPa/-30inHg				
P1777L543006	Compound -100..0..150 kPa/psi				
P1779L546008	Compound -100..0..900 kPa/ psi				
P1777L569006	0..100 kPa/14.5 psi				
P1779L570006	0..160 kPa/23 psi				
P1777L572006	0..250 kPa/36 psi	P1777B072002	2.5 bar	\$234.20	A
P1777L573006	0..400 kPa/58 psi	P1777B073002	4 bar	\$234.20	A
P1777L574006	0..600 kPa/87 psi	P1777B074002	6 bar	\$234.20	A
P1777L644006	0..800 kPa/115 psi				
P1777L575006	0..1000 kPa/145 psi	P1779B075002	0..10 bar	\$234.20	A
P1777L576006	0..1600 kPa/230 psi	P1777B076002	0..16 bar	\$234.20	A
P1777L578006	0..2500 kPa/360 psi	P1777B078018	0..25 bar	\$234.20	A
P1777L579006	0..4000 kPa/580 psi	P1777B079002	0..40 bar	\$234.20	A
P1779L580007	0..6000 kPa/870 psi	P1779B080002	0..60 bar	\$246.90	A
P1777L581006	0..10000 kPa/1450 psi	P1777B081011	0..100 bar	\$246.90	A
P1777L582500	0..16000 kPa/2300 psi	P1777B082002	0..160 bar	\$246.90	A
P1777L584006	0..25000 kPa/3600 psi	P1779B084002	0..250 bar	\$246.90	A
P1777L586007	0..40000 kPa/5800 psi	P1777B086017	0..400 bar	\$246.90	A
		P1779B087002	0..600 bar	\$246.90	A

## Accessories

AW001X405802	S/S 3 Hole flange P1777	\$81.40	A
A6750X01178	S/S 3 Hole front flange P1779	\$81.40	A

## Model P2032 ALL S/S Heavy Duty Pressure Gauges 63mm Bottom

All stainless steel pressure gauges are ideal for the harsh conditions and the resulting high demands on pressure measurement in production facilities in chemical industry and other comparable branches. Resistance to aggressive media is achieved by using high-grade material such as stainless steel both for the measuring system and the case.

304 S/S Case & 316 S/S Weed Parts, Boom Thread Connec3on, Glycerine Filled, Accuracy Class 1.6

Datasheet DE206



1/4" BSPT	KPa/psi scale	1/4" BSPP (G1/4")	Bar scale	Price	
P2032L516007	Vacuum -100..0 kPa/-30inHg	P2032B016001	-1 bar	\$165.90	A
P2032L544006	Compound -100..300 kPa/ psi	P2032B044001	-1..+3 bar	\$165.90	A
P2032L545006	Compound -100..500 kPa/ psi	P2032B045001	-1..+5 bar	\$165.90	A
P2032L546006	Compound -100..900 kPa/ psi	P2032B046901	-1..+9 bar	\$165.90	A
P2032L569007	0..100 kPa/14.5 psi	P2032B069901	1 bar	\$158.30	A
P2032L570010	0..160 kPa/23 psi	P2032B070001	1.6 bar	\$158.30	A
P2032L572007	0..250 kPa/36 psi	P2032B072001	2.5 bar	\$158.30	A
P2032L573007	0..400 kPa/58 psi	P2032B073001	4 bar	\$158.30	A
P2032L574008	0..600 kPa/87 psi	P2032B074001	6 bar	\$158.30	A
P2032L663006	0..800 kPa/115 psi				
P2032L575007	0..1000 kPa/145 psi	P2032B075001	10 bar	\$158.30	A
P2032L576007	0..1600 kPa/230 psi	P2032B076001	16 bar	\$158.30	A
P2032L578008	0..2500 kPa/360 psi	P2032B078001	25 bar	\$158.30	A
P2032L579007	0..4000 kPa/580 psi	P2032B079001	40 bar	\$158.30	A
P2032L580007	0..6000 kPa/870 psi	P2032B080901	60 bar	\$165.90	A
P2032L581007	0..10000 kPa/1450 psi	P2032B081001	100 bar	\$165.90	A
P2032L582007	0..16000 kPa/2300 psi	P2032B082001	160 bar	\$165.90	A
P2032L584007	0..25000 kPa/3600 psi	P2032B084901	250 bar	\$165.90	A
P2032L586007	0..40000 kPa/5800 psi	P2032B086001	400 bar	\$165.90	A
		P2032B087901	600 bar	\$165.90	A
		P2032B088901	1000 bar	\$245.80	A

### Accessories

SI/GA-F4R-M4-6K-H	316 S/S Adapter, 1/4" BSPT Female, 1/4" NPT Male, 6K rated	\$21.00	B
A5094X001048	Rear Flange S/S - WELD ON	\$23.30	A

## Model P2033 ALL S/S Heavy Duty Pressure Gauges 63mm Rear

The glycerin filling provides wear-protection for the measuring-system through damping, should pulsating pressures and mechanical vibrations occur. The measuring system is of accuracy class 1.6 has overload protection amounting to 1.3 times the maximum range and can be loaded up to the full scale value.

304 S/S Case & 316 S/S Weld Parts, Rear Thread Connection, Glycerin Filled, Accuracy Class 1.6

Datasheet DE234



1/4" BSPT	KPa/psi scale	1/4" BSPP (G1/4")	Bar scale	Price	
P2033L516007	Vacuum -100..0kPa/-30inHg	P2033B016001	-1 bar	\$173.40	A
P2033L544006	Compound -100..+300 kPa/ psi	P2033B044901	-1..+3 bar	\$173.40	A
P2033L546006	Compound -100..+900 kPa/ psi	P2033B045001	-1..+5 bar	\$173.40	A
P2033L549006	Compound -100..+1500 kPa/ psi	P2033B049901	-1..+9 bar	\$173.40	A
P2033L569007	0..100 kPa/14.5 psi	P2033B069901	1 bar	\$156.90	A
P2033L572006	0..250 kPa/36 psi	P2033B072001	2.5 bar	\$156.90	A
P2033L573006	0..400 kPa/58 psi	P2033B073001	4 bar	\$156.90	A
P2033L574008	0..600 kPa/87 psi	P2033B074001	6 bar	\$156.90	A
P2033L575008	0..1000 kPa/145 psi	P2033B075001	10 bar	\$156.90	A
P2033L576006	0..1600 kPa/230 psi	P2033B076001	16 bar	\$156.90	A
P2033L578006	0..2500 kPa/360 psi	P2033B078001	25 bar	\$156.90	A
P2033L579006	0..4000 kPa/580 psi	P2033B079001	40 bar	\$156.90	A
P2033L580006	0..6000 kPa/870 psi	P2033B080901	60 bar	\$160.60	A
P2033L581006	0..10000 kPa/1450 psi	P2033B081001	100 bar	\$160.60	A
P2033L582006	0..16000 kPa/2300 psi	P2033B082001	160 bar	\$160.60	A
P2033L584006	0..25000 kPa/3600 psi	P2033B084001	250 bar	\$160.60	A
P2033L586006	0..40000 kPa/5800 psi	P2033B086901	400 bar	\$160.60	A
		P2033B087901	600 bar	\$160.60	A

### Accessories

A6750X001178	3 Hole front flange stainless steel	\$23.30	A
SI/GA-F4R-M4-6K-H	316 S/S Adapter, 1/4"BSPT Female, 1/4"NPT Male, 6K rated	\$21.00	B
A6443X004002	Stainless steel panel Clamp	\$9.00	C

# Model P2325 ALL S/S Heavy Duty Pressure Gauges 100mm Bottom

by tectsis®

Resistance to aggressive media and environments is achieved by using high-grade stainless steel both for the measuring system and the case.

**304 S/S Case & 316 S/S Weed Parts, Boom Thread Connection, Safety Glass Lens, Accuracy Class 1**

**Datasheet DE232**



1/2" NPT	KPa/psi scale	1/4" BSPP (G1/2")	Bar scale	Price	
P2325L516010	Vacuum -100..kPa/-30inHg	P2325B016001	-1 bar	\$259.30	A
P2325L543006	Compound -100..+150 kPa/ psi	P2325B043001	-1..+1.5 bar	\$259.30	A
		P2325B044001	-1..+3 bar	\$259.30	A
P2325L545011	Compound -100..0..+500 kPa/ psi	P2325B045001	-1..+5 bar	\$259.30	A
P2325L546007	Compound -100..0..+900 kPa/ psi	P2325B046901	-1..+9 bar	\$259.30	A
		P2325B049901	-1..+15 bar	\$259.30	A
P2325L567008	0..60 kPa/8.7 psi	P2325B067001	0.6 bar	\$244.20	A
P2325L569014	0..100 kPa/14.5 psi	P2325B069001	1 bar	\$244.20	A
P2325L570008	0..160 kPa/23 psi	P2325B070001	1.6 bar	\$244.20	A
P2325L572012	0..250 kPa/36 psi	P2325B072001	2.5 bar	\$244.20	A
P2325L573024	0..400 kPa/58 psi	P2325B073001	4 bar	\$244.20	A
P2325L574010	0..600 kPa/87 psi	P2325B074001	6 bar	\$244.20	A
P2325L644006	0..800 kPa/115 psi				
P2325L575011	0..1000 kPa/145 psi	P2325B075001	10 bar	\$244.20	A
P2325L576011	0..1600 kPa/230 psi	P2325B076001	16 bar	\$244.20	A
P2325L578009	0..2500 kPa/360 psi	P2325B078001	25 bar	\$244.20	A
P2325L579011	0..4000 kPa/580 psi	P2325B079001	40 bar	\$244.20	A
P2325L580011	0..600 kPa/870 psi	P2325B080001	60 bar	\$259.30	A
P2325L581010	0..10000 kPa/1450 psi	P2325B081001	100 bar	\$259.30	A
P2325L582008	0..16000 kPa/2300 psi	P2325B082001	160 bar	\$259.30	A
P2325L584009	0..25000 kPa/3600 psi	P2325B084001	250 bar	\$259.30	A
P2325L586007	0..40000 kPa/5800 psi	P2325B086001	400 bar	\$259.30	A
P2325L587006	0..60000 kPa/8700 psi	P2325B087001	600 bar	\$259.30	A
		P2324B088001	1000 bar	\$337.20	A
<b>P2325P383019</b>	<b>0..10000psi SINGLE SCALE</b>			<b>\$272.10</b>	<b>A</b>
<b>P2325P384011</b>	<b>0..15000psi SINGLE SCALE</b>			<b>\$337.20</b>	<b>A</b>
<b>Dials</b>					
A6799X104395	100mm dial 0-15,000psi/1034bar			\$25.00	C
A6799X104396	100mm dial 0-10,000psi/690bar			\$25.00	C
<b>S/S Adapters</b>					
SI/GA-F8-M4-10K-H	316 S/S Adapter, 1/2"NPT female, 1/4"NPT male, 10k rated			\$65.00	B
SI/GA-F8-M4-15K-H	316 S/S Adapter, 1/2"NPT female, 1/4"NPT male, 15k rated			\$128.00	B

# Model P2325 ALL S/S Heavy Duty Pressure Gauges 100mm Rear

by tecsis®

All stainless steel pressure gauges are ideal for the hard conditions and the resulting high demands on pressure measurement in production facilities in the chemical industry and other comparable branches. Resistance to aggressive media and environments is achieved by using high-grade materials such as stainless steel both for the measuring system and the case.

The glycerin-filled version is damped for wear- protection should pulsating pressures and mechanical vibrations occur. The measuring system is of accuracy class 1.0, has over range protection amounting to 1.3 times the maximum rating and can be loaded up to the full scale value.

304 S/S Case & 316 S/S Weed Parts, 1/2" NPT Rear Conn, C/W Panel Clamp, Safety Glass Lens, Accuracy Class 1

Datasheet DE232



1/2" NPT	KPa/psi scale	Price	
P2329L516010	Vacuum -100..kPa/-30inHg	\$291.00	A
P2329L572011	0..250 kPa/36 psi	\$291.00	A
P2329L574011	0..600 kPa/87 psi	\$291.00	A
P2329L575006	0..1000 kPa/145 psi	\$291.00	A
P2329L576006	0..1600 kPa/230 psi	\$291.00	A
P2329L578008	0..2500 kPa/360 psi	\$291.00	A
P2329L579006	0..4000 kPa/580 psi	\$291.00	A
P2329L581007	0..10000 kPa/1450 psi	\$337.20	A
P2329L582006	0..16000 kPa/2300 psi	\$337.20	A
P2329L584007	0..25000 kPa/3600 psi	\$337.20	A
P2329L586007	0..40000 kPa/5800 psi	\$337.20	A
P2329L587006	0..60000 kPa/8700 psi	\$337.20	A
<b>P2329P383016</b>	<b>0..10000 psi Single Scale</b>	<b>\$337.20</b>	<b>A</b>
<b>P2329P384009</b>	<b>0..15000 psi Single Scale</b>	<b>\$362.50</b>	<b>A</b>

### Accessories

SI/GA-F8-M4-10K-H	316 S/S Adapter, 1/2" NPT female, 1/4" NPT male, 10k rated	\$65.00	B
SI/GA-F8-M4-15K-H	316 S/S Adapter, 1/2" NPT female, 1/4" NPT male, 15k rated	\$128.00	B
A6750X001178	S/S 3 Hole front flange	\$81.40	A

# Model P2316 ALL 316 S/S 160mm Gauges Bottom



Datasheet DE233

## All 316 S/S, Fillable, 1/2" NPT Boom Conn, Safety Glass Lens, Accuracy Class 1

Model	Description	Price	
P2316L516	Vacuum -100..0 kPa/-30 inHg	\$255.30	B
P2316L569008	0..100 kPa	\$255.30	B
P2316L570	0..160 kPa	\$255.30	B
P2316L572009	0..250 kPa	\$255.30	B
P2316L573008	0..400 kPa	\$255.30	B
P2316L574014	0..600 kPa	\$255.30	B
P2316L644006	0..800 kPa	\$255.30	B
P2316L575010	0..1000 kPa	\$255.30	B
P2316L576008	0..1600 kPa	\$255.30	B
P2316L578010	0..2500 kPa	\$255.30	B
P2316L579007	0..4000 kPa	\$255.30	B
P2316L580007	0..6000 kPa	\$255.30	B
P2316L581007	0..10000 kPa	\$272.10	B
P2316L582007	0..16000 kPa	\$272.10	B
P2316L584007	0..25000 kPa	\$272.10	B
P2316L586007	0..40000 kPa	\$272.10	B
P2316L587007	0..60000 kPa	\$288.40	B

### P2316 ACCESSORIES

AW002X350845	P2316 Bezel, Safetl Glass Lens and Seal Kit	\$56.20	B
AEW90X000723	P2316 SS Rear Flange - Weld On	\$50.40	B
AW001348280	P2316 Max Pointer	\$96.40	B
AW001X113151	P2316 Max Pointer Glass	\$26.80	C
A6799X162395	160mm Dial 0..25 bar/360 psi	\$25.00	C
A6799X162396	160mm Dial 0..100 bar/1450 psi	\$25.00	C
A6799X162397	160mm Dial 0..160 bar/2300 psi	\$25.00	C
A6799X162398	160mm Dial 0..250 bar/3600 psi	\$25.00	C
A6799X162399	160mm Dial 0..400 bar/5800 psi	\$25.00	C
A6799X162400	160mm Dial 0..4000 psi/275 bar	\$25.00	C
A6799X162401	160mm Dial 0..6000 psi/400 bar	\$25.00	C

### FIRE TRUCK GAUGE

P1587L552017	Compound Gauge 100mm -100..+2500 kPa single scale, FIRE TRUCK S/S case fillable 3/8" BSPT centre rear conn. c/w, panel clamp, (zero@ 12 o'clock)	\$236.40	C
P1587B052016	Compound Gauge 100mm -1 to 25 bar single scale, FIRE TRUCK S/S case fillable 3/8" BSPT centre rear conn. c/w, 3 hole front flange, (zero@ 12 o'clock)	\$236.40	C



# Model P2316 ALL 316 S/S 160mm Gauges Bottom



Datasheet DE228



Datasheet DE244

**POCAN** is the trade-name for the LANXESS range of semi-crystalline thermoplastic polyesters based on polybutylene terephthalate (PTB) and polyethylene terephthalate (PET). These resins are noted for their chemical & high heat resistance.

## 100mm, ALL 316 S/S, Fillable, Solid Front/Blow-out Back, Safety Glass, 1/2 " NPT Boom Conn., Accuracy Class 1

Model	Description	Price	
P2119L569	0..100 kPa/14.5 psi	\$251.80	B
P2119L570	0..160 kPa/23 psi	\$251.80	B
P2119L572	0..250 kPa/ 36 psi	\$251.80	B
P2119L573	0..400 kPa/ 58 psi	\$251.80	B
P2119L574	0..600 kPa/ 87 psi	\$251.80	B
P2119L644	0..800 kPa/ 115 psi	\$251.80	B
P2119L575009	0..1000 kPa/ 145 psi	\$251.80	B
P2119L576	0..1600 kPa/ 230 psi	\$251.80	B
P2119L578	0..2500 kPa/ 360 psi	\$251.80	B
P2119L579	0..4000 kPa/ 580 psi	\$251.80	B
P2119L580007	0..6000 kPa/ 870 psi	\$259.40	B
P2119L581	0..10000 kPa/ 1450 psi	\$259.40	B
P2119L582	0..16000 kPa/ 2300 psi	\$259.40	B
P2119L584	0..25000 kPa/ 3600 psi	\$259.40	B
P2119L586	0..40000 kPa/ 5800 psi	\$259.40	B
P2119L587	0..60000 kPa/ 8700 psi	\$259.40	B

## 130mm, POCAN Case, 316 S/S Weed Parts, Fillable, Solid Front/ Blow-out Back, Safety Glass, 0.5% FSA, 1/2"NPT

P2119L569	0..100 kPa	\$251.80	B
P2119L570	0..160 kPa	\$251.80	B
P2119L572	0..250 kPa	\$251.80	B
P2119L573	0..400 kPa	\$251.80	B
P2119L574	0..600 kPa	\$251.80	B
P2119L644	0..800 kPa	\$251.80	B
P2119L575009	0..1000 kPa	\$251.80	B
P2119L576	0..1600 kPa	\$251.80	B
P2119L578	0..2500 kPa	\$251.80	B
P2119L579	0..4000 kPa	\$251.80	B
P2119L580007	0..6000 kPa	\$259.40	B
P2119L581	0..10000 kPa	\$259.40	B
P2119L582	0..16000 kPa	\$259.40	B
P2119L584	0..25000 kPa	\$259.40	B
P2119L586	0..40000 kPa	\$259.40	B
P2119L587	0..60000 kPa	\$259.40	B



## Digital Pressure Gauges 80mm by **tecsis**®

This digital manometer is the ideal solution for local digital display independent of the mains. The replaceable battery allows measurements to be made independent of a fixed source of power.



Datasheet DE777

### Model P3961 Pressure Gauge Digital G1/4"BSPP Boom Conn S/S Case, 4 Digital LCD Display, Min-Max Value, Field Programmable bar, psi or MPa, IP65

Model	Description	Price	
TK61005	Test kit with P3961B121001 - 5bar digital gauges	\$855.00	B
TK61010	Test kit with P3961B075001 - 10bar digital gauges	\$855.00	B
TK61020	Test kit with P3961B077001 - 20bar digital gauges	\$855.00	B
TK61050	Test kit with P3961B785001 - 50bar digital gauges	\$855.00	B
TK61100	Test kit with P3961B080001 - 100bar digital gauges	\$855.00	B
TK61250	Test kit with P3961B084001 - 250bar digital gauges	\$855.00	B
TK61400	Test kit with P3961B086001 - 400bar digital gauges	\$855.00	B
TK61700	Test kit with P3961B104001 - 700bar digital gauges	\$855.00	B
TKFIT 1/4 BSPP	Fitting G1/4"BSPP male to test 20	\$19.30	C
TKFIT 1/8 NPT	Fitting 1/8"NPT male to test 20	\$19.30	C
TKFIT 1/4 NPT	Fitting 1/4"NPT male to test 20	\$19.30	C
TKFIT 7/16 UNO	Fitting 7/16"UNO male to test 20	\$19.30	C
TKFIT 9/16 UNO	Fitting 9/16"UNO male to test 20	\$19.30	C
TKFIT Hose 2m	Test hose 2m, G1/4 to test 20	\$40.80	C
TKFIT Hose 4m	Test hose 4m, G1/4 to test 20	\$52.50	C
TKFIT Hose 5m	Test hose 5m, G1/4 to test 20	\$61.80	C
Accessories			
A5941X003003	Rubber protection shroud for P3961/P3962	\$31.70	B
A5136X002015	Battery covered	\$10.70	B
SI/GA-F4G-M4-10K-H	G1/4"BSPP female, 1/4"NPT male adapter, 10k pressure rated	\$36.40	B

## Test Kits Digital & Analogue by **tecsis**®

Test Kit includes case with foam insert, rubber gauge protection shroud, (for digital gauge only) 2m connection hose and 5x male fittings, (test 20 to G1/4"BSPP, 1/8"NPT, 1/4"NPT, 7/16"UNO, 9/16"UNO).



Model	Description	Price	
TK61005	Test kit with P3961B121001 - 5bar digital gauges	\$855.00	B
TK61010	Test kit with P3961B075001 - 10bar digital gauges	\$855.00	B
TK61020	Test kit with P3961B077001 - 20bar digital gauges	\$855.00	B
TK61050	Test kit with P3961B785001 - 50bar digital gauges	\$855.00	B
TK61100	Test kit with P3961B080001 - 100bar digital gauges	\$855.00	B
TK61250	Test kit with P3961B084001 - 250bar digital gauges	\$855.00	B
TK61400	Test kit with P3961B086001 - 400bar digital gauges	\$855.00	B
TK61700	Test kit with P3961B104001 - 700bar digital gauges	\$855.00	B
TKFIT 1/4 BSPP	Fitting G1/4"BSPP male to test 20	\$19.30	C
TKFIT 1/8 NPT	Fitting 1/8"NPT male to test 20	\$19.30	C
TKFIT 1/4 NPT	Fitting 1/4"NPT male to test 20	\$19.30	C
TKFIT 7/16 UNO	Fitting 7/16"UNO male to test 20	\$19.30	C
TKFIT 9/16 UNO	Fitting 9/16"UNO male to test 20	\$19.30	C
TKFIT Hose 2m	Test hose 2m, G1/4 to test 20	\$40.80	C
TKFIT Hose 4m	Test hose 4m, G1/4 to test 20	\$52.50	C
TKFIT Hose 5m	Test hose 5m, G1/4 to test 20	\$61.80	C
Analogue Test Kit			
TK ANALOGUE	Test kit complete-contains 3x P1454, 63mm, bar/psi dual scale, S/S case, copper alloy wetted parts, G1/4"BSPP bottom entry gauges choose from vacuum to 600bar/psi dual scale + case fittings and hose as above	\$492.70	B

## Pressure Gauge Accessories by **teccis®**



A6527X016003



A5094X002007



A5094X002007

Model	Description	Price	
AEW90X000505	Pointer puller, plier type	\$150.00	B
LPP-40	Compound pneumatic hand pump with micro adjustment 0.95..0..35bar	\$910.00	C

### 63mm Accessories - Model P1453/P1454/P2032/P2033

A1307X010004	Rubber protection shroud 63mm RED	\$14.40	A
A1307X010005	Rubber protection shroud 63mm BLUE	\$14.40	A
A1307X010010	Rubber protection shroud 63mm BLACK	\$14.40	A
A5094X001048	Rear flange S/S-weld on	\$23.30	A
A1314X020004	G1/4" BSPP compression washer	\$1.55	A
AW001X195751	S/S 3 Hole front flange push - on	\$23.30	A
A5188X001015	Restrictor (press fit) 0.3mm, brass for models P 1453/1454	\$4.90	A
A5188X001029	Restrictor (press fit) 0.3mm, S/S for models P 2032/2033	\$7.10	A
A5188X001028	Restrictor (press fit) 0.8mm, S/S for models P 2032/2033	\$7.10	A
A6443X004001	Panel clamp ring	\$2.55	C
A6443X004002	S/S Panel clamp ring	\$9.00	C

### Accessories - Model P1778/P1779/P1776/P1777/P2325/P2329

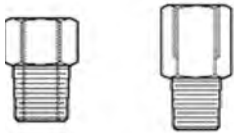
AW001X470752	Rear flange stainless steel - weld on P1776	\$25.50	A
A5094X002007	Rear flange stainless steel - weld on P1778	\$25.50	A
A5140X013021	Safety lens 100mm 97.5mm	\$25.00	A
AW001X111701	Safety lens 100mm 95.5mm	\$25.00	A
A5140X001119	Plastic lens 100mm 97.5mm	\$15.40	A
AW001X117564	Plastic lens 100mm 95.5mm	\$15.40	A
A5157X001082	Lens gasket-Flat 97.5mm	\$5.10	A
AW001X511734	Lens gasket-Lugs 95.5mm	\$5.10	A
A5182X002009	Triangular bezel for P 1779/2329	\$25.50	A
A5188X001021	Restrictor (press fit) 0.3mm, brass for models P 1778/1779	\$4.90	A
A5188X001029	Restrictor (press fit) 0.3mm, S/S for models P 2325/2329	\$7.10	A
A5188X001028	Restrictor (press fit) 0.8mm, S/S for models P 2325/2329	\$7.10	A
A5941X003001	Rubber protection shroud 100mm BLUE	\$44.40	A
A5941X003002	Rubber protection shroud 100mm BLACK	\$44.40	A
A6240X004055	Front bezel standard S/S	\$25.00	A
A6527X016003	S/S Case with 3 hole rear flange attached	\$94.20	A
A6626X001067	Maximum indicating pointer & lens	\$95.00	A
AW001X405802	3 Hole front flange stainless steel P1777	\$81.40	A
A6750X001178	3 Hole front flange stainless steel P1779	\$81.40	A

# Gauge Adapters, Glycerin & Pointers



Model	Description	Price	
<b>Pointers</b>			
AW000X608912	Standard pointer for 100mm dual scale gauges	\$3.90	C
A76344X001243	Standard pointer for 100mm single scale gauges	\$3.90	C
AEW90X000744	Adjustable pointer for 100mm gauges	\$11.50	C
A6344X006024	Adjustable pointer for 130mm, (P2119) gauges	\$11.50	C
AEW90X000749	Adjustable pointer for 160mm, (P2316) gauges	\$20.50	C

<b>Glycerin</b>			
GLYC85-01 L	Glycerol 85%x 1 litre	\$13.00	C
GLYC85-05 L	Glycerol 85%x 5 litre	\$55.00	C
GLYC85-10 L	Glycerol 85%x 10 litre	\$97.00	C



<b>Adapters</b>			
1224.18B.14B	Brass 1/8" BSPT female to 1/4" BSPT male, rated to 500psi	\$4.10	C
1224.14B.38B	Brass 1/4" BSPT female to 3/8" BSPT male, rated to 500psi	\$5.00	C
1224.14B.12B	Brass 1/4" BSPT female to 1/2" BSPT male, rated to 500psi	\$5.00	C
1224.38B.12B	Brass 3/8" BSPT female to 1/2" BSPT male, rated to 500psi	\$5.00	C
1224.38B.34B	Brass 3/8" BSPT female to 3/4" BSPT male, rated to 500psi	\$5.00	C
1224.38B.12N	Brass 3/8" BSPT female to 1/2" NPT male, rated to 3000psi	\$5.00	C
1272.14B.18B	Brass 1/4" BSPT female to 1/8" BSPT male, rated to 500psi	\$7.30	C
1272.38B.14B	Brass 3/8" BSPT female to 1/4" BSPT male, rated to 500psi	\$7.90	C
A1302X010001	Brass G1/4" BSPP female to M20 x 1.5 brass, 1000bar	\$23.90	C
A1302X010030	Brass G1/4" BSPP female to 1/4" NPT male, rated to 600bar	\$9.20	C
A1302X010009	Brass G1/4" BSPP female to G1/2" BSPP male, 600bar	\$16.80	C
A1302X010007	Brass G1/2" BSPP female to G1/4" BSPP male, 600bar	\$16.80	C
A1302X010021	Brass G1/8" BSPP female to G1/4" BSPP male, rated to 400bar	\$16.80	C
A1302X010032	Brass G3/8" BSPP female to G1/4" BSPP male, rated to 600bar	\$14.00	C
A1302X010033	Brass G1/2" BSPP male to G3/8" BSPP female, rated to 600bar	\$14.00	C
A1302X010040	Brass M20 x 1.5 Female to G1/2" BSPP male, rated to 1000bar	\$19.00	C
1220.12N.14N	Stainless Steel 316 1/2" NPT female to 1/4" NPT male, 4900psi	\$33.60	C
A1302X010026	S/S Adapter G1/2" BSPP Female - 1/2" NPT male, rated to 1000bar	\$73.50	C
SI/GA-F4R-M4-6K-H	316 S/S Adapter, 1/4" BSPT female, 1/4" NPT male, 6k rated	\$21.00	B
SI/GA-F4G-M4-10K-H	316 S/S Adapter, G1/4" BSPP female, 1/4" NPT male, 10k rated	\$37.50	B
SI/GA-F4G-M2-6K-H	316 S/S Adapter, G1/4" BSPP female, 1/2" NPT male, 6kpsi rated	\$21.00	B
SI/GA-F4R-M2-6K-H	316 S/S Adapter, G1/2" BSPP female, 1/2" NPT male, 6kpsi rated	\$37.50	B
SI/GA-F6R-M8G-6K-H	316 S/S Adapter, 3/8" BSPT Female, G1/2" BSPP male, 6k rated	\$37.50	B
SI/GA-F8-M12R-10K-H	316 S/S Adapter, 1/2" NPT Female, 3/4" BSPT male, 10k rated	\$65.00	B
SI/GA-F8-M4-10K-H	316 S/S Adapter, 1/2" NPT female, 1/4" NPT male, 10k rated	\$65.00	B
SI/GA-F8-M4-15K-H	316 S/S Adapter, 1/2" NPT female, 1/4" NPT male, 15k rated	\$128.00	B
SI/GA-F8-M6-10K-H	316 S/S Adapter, 1/2" NPT female, 3/8" NPT male, 10k rated	\$65.00	B
SI/GA-F8-M8G-10K-H	316 S/S Adapter, 1/2" NPT female, G1/2" BSPP male, 10k rated	\$65.00	B



## 100mm &amp; 160mm Dials &amp; Needle Valves



## 100mm Single Scale Dials

Model	Description	Model	Description	Price	
<b>Single Scale Bar</b>		<b>Single Scale kPa</b>			
A6799X102360	-1..0 bar	A6799X102361	-100...kPa	\$25.00	C
A6799X104357	-1..1.5 bar				
A6799X104358	- 1..3 bar				
A6799X104359	-1..5 bar				
A6799X104360	-1..9 bar	A6799-100..+900 kPa	-100..+900 kPa	\$25.00	C
A6799X102342	0..1 bar	A6799X102362	0..100 kPa	\$25.00	C
A6799X104384	0..1.6 bar	A6799X102363	0..150 kPa	\$25.00	C
A6799X102357	0..2.5 bar	A6799X102364	0..250 kPa	\$25.00	C
A6799X104308	0..4 bar	A6799X102365	0..400 kPa	\$25.00	C
A6799X102332	0..6 bar	A6799X102366	0..600 kPa	\$25.00	C
A6799X102381	0..8 bar	A6799X102367	0..800 kPa	\$25.00	C
A6799X102358	0..10 bar	A6799X102368	0..1000 kPa	\$25.00	C
A6799X104229	0..16 bar	A6799X102391	0..1600 kPa	\$25.00	C
A6799X102331	0..25 bar	A6799X102370	0..2500 kPa	\$25.00	C
A6799X102359	0..40 bar	A6799X102371	0..4000 kPa	\$25.00	C
A6799X102341	0..60 bar	A6799X102372	0..6000 kPa	\$25.00	C
A6799 100 bar	0..100 bar	A6799X102373	0..10 000 kPa	\$25.00	C
A6799X104348	0..160 bar	A6799X102374	0..16 000 kPa	\$25.00	C
A6799X104279	0..250 bar	A6799X102375	0..25 000 kPa	\$25.00	C
A6799X102327	0..400 bar	A6799X102376	0..40 000 kPa	\$25.00	C
A6799X104373	0..600 bar	A6799X102377	0..60 000 kPa	\$25.00	C

## 100mm Dual Scal Bar/Psi Dials

A6799X102378	0.. 100 000 kPa	\$25.00	C
A6799X104344	0..100 bar/1450 psi	\$25.00	C
A6799X102387	0..160 bar/2300 psi	\$25.00	C
A6799X102379	0..250 bar/3600 psi	\$25.00	C
A6799X102380	0..400 bar/5800 psi	\$25.00	C

## Needle Valves

P1M/M2W2TB0XH	1/4" NPT male/female, PTFE seals, 6m bleed port, T bar handle, 6K rated, 316 SS	\$131.30	B
P1M/M3W3TB0XH	3/8" NPT male/female, PTFE seals, 6m bleed port, T bar handle, 6K rated, 316 SS	\$131.30	B
P1M/M4W4TB0XEH	1/2" NPT male/female, PTFE seals, 6m bleed port, T bar handle, 10K rated, 316 SS	\$131.30	B





## Gauge Savers.

### Wherever there is a pressure gauge there is an application for a Semmler Gauge Saver

Semmler Gauge Savers are 100% Australian made. Our sealed snubber provides steady pulsation free flow to sensitive pressure recorders. Semmler Gauge Savers act by dampening pressure pulsations to ensure a steady accurate gauge reading and removing the chance of pressure gauge damage.

Semmler Gauge Savers are invaluable with contact gauges. They can be quickly installed in the field and suitable for all ranges of pressure up to 10,000 p.si. - 69,000 k.Pa.

### Pressure Recommendations



#### Brass

2000 psi - 13000 k.Pa.

#### Stainless Steel

3000 psi - 20000 k.Pa.

#### High Tensile Steel

10000 psi - 69000 k.Pa.

\*SAF 2205 Duplex and SAF 2507 Super Duplex available on request.



Part Number	Description	Price	
SEM-GSB-18.NPT	Gauge Saver 1/8"NPT	\$169.00	C
SEM-GSB-38.BSP	Gauge Saver 3/8"BSP Brass	\$169.00	C
SEM-GSB.12.BSP	Gauge Saver 1/2"BSP Brass	\$169.00	C
SEM-GSB.12.NPT	Gauge Saver 1/2"NPT Brass	\$169.00	C
SEM-GSB.14.BSP	Gauge Saver 1/4"BSP Brass	\$169.00	C

### Gauge server, Stainless Steel, Instrument & Process Connection

Model	Description	Price	
SEM-GSS.1.38.BSPT	1'BSPTM - 3/8BSPTF Gauge Saver	\$225.00	C
SEM-GSS.12.BSP	Gauge Saver 1/2"BSP S/S	\$225.00	C
SEM-GSS.12.NPT	Gauge Saver 1/2"NPT S/S	\$225.00	C
SEM-GSS.14.BSP	Gauge Saver 1/4"BSP S/S	\$225.00	C
SEM-GSS.38.BSP	Gauge Saver 3/8"BSP S/S	\$225.00	C
SEM-GSS.38.NPT	Gauge Saver 3/8"NPT S/S	\$225.00	C
SEM-GSEPS.01	EP Sack Only	\$57.00	C

## Load Cells, Tension & Compression Products by **teccsis®**

As a distributor for **teccsis®** force products, **GTS** can supply custom built, high accuracy, load cells and force sensors, in a number of configurations. These products are used in a wide range of applications such as weighing control, process control, chemical industries, food industries, medical equipment and industrial measurements.



### Single Point Load Cells

Platform load cells are applied in small and middle sized platform scales in weighing. Often, these sensors are centre load compensated, so that even with off-centre loading of large carriers the measurement result will be correct.



### Tension/ Compression Force Transducers

Tension/Compression force transducers are used to measure tension and compression forces. For application with limited spacer or to measure small forces they are used in miniature design.



### Load and shear beams

Load and shear beams are used to measure the weight of small and medium sized containers. Often they are also applied to measure force.



### Load pins

In stage construction, construction machinery, cranes or other large lifting equipment:  
By virtue of their design, load pins from **teccsis®** can be integrated directly in the flow of force, taking up very little space. For example, as a direct replacement of retaining bolts in fork bearings. Hence, load pins are the perfect solution for different geometries. Even when upgrading existing structures. Proven thin-film technology used in the so-called bolts plays its part in this.



### Compression Force Transducers

Its small dimensions and solid design this load cell made of high grade stainless steel can be used in the laboratory and testing sector in the most diverse branches of industry.



### Special Force Transducer

Shackle Load Cells combine the benefits of a shackle and a load pin. They measure loads without the need to install further elements **teccsis®** shackle load cells have high accuracy and are easy to use.



### D-Shackle

D-Shackle Load Cells are designs for lifting and weighing in rugged or harsh environment. They provide a simple and reliable method of measuring a wide range of weights and loads. The shackle load cell consists of a shackle and a force transducers.

## Electronic Pressure Switch with Display.



2x Adjustable switch outputs, 4 digit LED display, IP67 rating, adjustable hysteresis, NO or NC adjustable function, adjustable delay function, M12 4-pin electrical connection, male G1/4 BSP thread, stainless steel wetted parts

Model	Description	Price	
Model	Adjustable Range	Price	
GTSEPS2100A32	0...100 bar	\$410.00	B
GTSEPS2250A32	0...250 bar	\$410.00	B
GTSEPS2400A32	0...400 bar	\$410.00	B
GTSEPS2V16A32	-1...16 bar	\$410.00	B

GTSEPS104206	G1/4" Swivel Adapter, M/F, Max. Pressure 630bar, zinc/nickel.	\$30.00	C
GTSEPS11041	1.5m cable	\$29.00	C

Intelligent Pressure Switch, G1/4" BSP, 2x switch and 1X 4-20mA output, 12-30VDC



Model	Range	Price	
MPM5581-G3-2KA-C2-R5	IMPM5581-G3-2KA-C2-R5 -7bar Intelligent Pressure Switch, 0-7 bar, G1/4" BSP, 2x switch and 1x 4-20mA output, 12-30VDC	\$575.00	D
MPM5581-G4-2KA-C2-R5	MPM5581-G4-2KA-C2-R5 -16bar Intelligent Pressure Switch, 0-16 bar, G1/4" BSP, 2x switch and 1x 4-20mA output, 12-30VDC	\$575.00	D
MPM5581-G5-2KA-C2-R5	MPM5581-G5-2KA-C2-R5 -35bar Intelligent Pressure Switch, 0-35 bar, G1/4" BSP, 2x switch and 1x 4-20mA output, 12-30VDC	\$575.00	D
MPM5581-G6-2KA-C2-R5	MPM5581-G6-2KA-C2-R5 -70bar Intelligent Pressure Switch, 0-70 bar, G1/4" BSP, 2x switch and 1x 4-20mA output, 12-30VDC	\$575.00	D
MPM5581-G7-2KA-C2-R5	MPM5581-G7-2KA-C2-R5 -100bar Intelligent Pressure Switch, 0-100 bar, G1/4" BSP, 2x switch and 1x 4-20mA output, 12-30VDC	\$575.00	D
MPM5581-G8-2KA-C2-R5	MPM5581-G8-2KA-C2-R5 -250bar Intelligent Pressure Switch, 0-250 bar, G1/4" BSP, 2x switch and 1x 4-20mA output, 12-30VDC	\$575.00	D
MPM5581-G9-2KA-C2-R5	MPM5581-G9-2KA-C2-R5 -400bar Intelligent Pressure Switch, 0-400 bar, G1/4" BSP, 2x switch and 1x 4-20mA output, 12-30VDC	\$575.00	D



# Mechanical Pressure Switches - Engine & 316 S/S Switches

These mechanical pressure switches are available with NO, NC, or SPDT contacts. These pressure switches provide highest quality and stable switching points during the whole service life, with an outstanding reliability even at high temperatures.



Adjustable Pressure Switches			
1/8" NPT, Zinc Plated Steel Body, NBR Diaphragm, 42V/2A			
GTSEPA-1-2M-A-SP-1	Pressure Switch 0.1...2.0bar. Field adjustable, 1/8" NPT. Normally Open Spade terminals. Viton Diaphragm. Zinc-Nickel Plated housing. 9000psi (620 bar) maximum overpressure.- ADJUSTABLE VA100, 42VDC = 2.38amps.	\$90.00	A
GTSEPA-1-2M-B-SP-1	Pressure Switch 0.1...2.0bar. Field adjustable, 1/8" NPT. Normally closed. Spade terminals. Viton Diaphragm. Zinc-Nickel Plated housing. 9000psi (620 bar) maximum overpressure.- ADJUSTABLE VA100, 42VDC = 2.38amps.	\$90.00	A
GTSEPA-1A-2M-A-SP-1	Pressure Switch 14.5 - 200psi /1-14 bar adjustable range, 1/8" NPT, N/O, (normally open), 2 x Spade terminals, Viton diaphragm, Zinc-Nickel Plated housing, 9000psi/620bar max overpressure	\$90.00	A
GTSEPA-1A-2M-B-SP-1	Pressure Switch 14.5 - 200psi /1-14 bar adjustable range, 1/8" NPT, N/C, (normally closed) 2 x Spade terminals, Viton diaphragm, Zinc-Nickel Plated housing, 9000psi/620bar max overpressure	\$90.00	A
GTSRB145	Rubber Boot to suit GTS EPA Pressure Switches	\$9.00	C

Brass			
GTSAPF-15R-2MASP3	Pressure Switch, Brass Switch Point 15psi rising, Normally Open, 1/8" NPT connection, Max Pressure 1000psi, Spade terminals, Kapton Diaphragm. Temperature -10 to 110 degC, adjustment range: 3-20 psi.	\$60.70	A
GTSAPF-36F-4G-C-HC	Pressure Switch, Brass Switch Point 36psi falling, SPDT, G1/4" BSPP connection, max. pressure 1000psi, DIN Plug. Adjustable range 15 psi-80 psi.	\$81.40	B
GTSPMF-8R-2M-A-DI	Pressure Switch, Brass Switch Point 8psi rising, Normally Open, 1/8" NPT connection, Integral Deutsch Plug.	\$52.40	A

Pressure Switches - Hydraulic

Mechanical Pressure Switches with a membrane or piston sensing element and one switched output, with changeover contact for converting pneumatic and hydraulic pressure into an electrical switching signal.



GTSBPA

Adjustable Pressure Switches

GTSBPA-1-4GCHC	Adjustable Range 5-85 psi (0.35-6 bar)	\$99.00	B
GTSBPA-1A-4GCHC	Adjustable Range 65-300 psi (4-20 bar)	\$99.00	B
GTSBPA-2-4GCHC	Adjustable Range 125-600 psi (8-40 bar)	\$99.00	B
GTSBPA-3-4GCHC	Adjustable Range 500-2500 psi (35-170 bar)	\$99.00	B
GTSBPA-4-4GCHC	Adjustable Range 1000-6000 psi (69-414 bar)	\$99.00	B



GTSPS

Adjustable Pressure Switches

GTSPS001001	-0.85..-0.15 bar	\$135.60	B
GTSPS002001	0.2..2 bar -	\$135.60	B
GTSPS008001	0.5..8 bar -	\$135.60	B
GTSPS016001	1..16 bar -	\$135.60	B
GTSPS030001	10..30 bar -	\$135.60	B
GTSPS120001	10..120 bar -	\$135.60	B
GTSPS200001	20..200 bar -	\$135.60	B
GTSPS320001	A 30..320 bar -	\$135.60	B
GTSPS11000A	DIN Plug, Screw and Gasket to suit GTSPS Switches	\$5.50	C

316 Stainless Steel Body



316 S/S

Change - Over SPDT	Contact, Adjustable, 316 Stainless Steel, NBR Diaphragm, G1/4"BSPP, with Protective Boot	Price	
GTSAPA-1B-4GCHC4	Adjustable 20-200 kPa/0.2-2 bar/3-29 psi, max pressure 24 bar, 316 S/S body, G1/4"BSPP with din plug elec. conn.	\$191.00	B
GTSBPA-1-4GCHC4	Adjustable 35-580 kPa/0.35-5.8 bar/5-85 psi, max pressure 600 bar, 316 S/S body, G1/4"BSPP with din plug elec. conn.	\$194.50	B
GTSBPA-1A-4GCHC4	Adjustable 450-2000 kPa/4.5-20 bar/65-300 psi, max pressure 600 bar, 316 S/S body, G1/4"BSPP with din plug elec. conn.	\$194.50	B

## Models P3251 & P3297



Datasheet DE701

**Model P3251 4..20mA output, G1"BSPP/G1/2"BSPP conn. 316 S/S Front Flush Diaphragm, 0.5% Full Scale Accuracy, 316 S/S Weed Parts**

Model	Description	Price	
P3251B063001	0..0,1bar, G1"BSPP	\$629.00	B
P3251B064001	0..0,16bar, G1"BSPP	\$629.00	B
P3251B065001	0..0,25bar, G1"BSPP	\$629.00	B
P3251B066001	0..0,4bar, G1"BSPP	\$629.00	B
P3251B067001	0..0,6bar, G1"BSPP	\$629.00	B
P3251B069001	0..1bar, G1"BSPP	\$629.00	B
P3251B070001	0..1,6bar, G1"BSPP	\$629.00	B
P3251B045001	-1..+5bar compound G1/2"BSPP	\$629.00	B
P3251B046001	-1..+0.9bar compound G1/2"BSPP	\$629.00	B
P3251B072001	0..2,5bar, G1/2"BSPP conn.	\$629.00	B
P3251B073001	0..4bar, G1/2"BSPP conn.	\$629.00	B
P3251B074001	0..6bar, G1/2"BSPP conn.	\$629.00	B
P3251B075001	0..10bar, G1/2"BSPP conn	\$629.00	B
P3251B078001	0..25bar, G1/2"BSPP conn.	\$629.00	B

### Adapters

AZM23X031004	Welding socket 1" BSP for P3251.	\$207.50	B
AZM23X031006	Welding socket S/S 1/2" BSP for P3251	\$207.50	B

**Model P3297 OEM 4-20mA Output, G1/4"BSPP conn. 316 S/S, 1% FSA c/w 3 Point Test Report**



Datasheet DE708



M12 4pin Plug  
Special Option

P3297B016001	P3297B016002	-1..0 bar Vacuum	\$231.00	B
P3297B045081		-1..0..+5 bar Compound	\$231.00	B
P3297B069001	P3297B069002	0..1 bar	\$231.00	B
P3297B070001	P3297B070002	0..1,6 bar	\$231.00	B
P3297B072001	P3297B072002	0..2,5 bar	\$231.00	B
P3297B073001	P3297B073002	0..4 bar	\$231.00	B
P3297B074001	P3297B074002	0..6 bar	\$231.00	B
P3297B075001	P3297B075002	0..10 bar	\$231.00	B
P3297B076001	P3297B076002	0..16 bar	\$231.00	B
P3297B078001	P3297B078002	0..25 bar	\$231.00	B
P3297B079001	P3297B079002	0..40 bar	\$231.00	B
P3297B080001	P3297B080002	0..60 bar	\$231.00	B
P3297B081001	P3297B081002	0..100 bar	\$231.00	B
P3297B082001	P3297B082002	0..160 bar	\$231.00	B
P3297B084001	P3297B084002	0..250 bar	\$231.00	B
P3297B086001	P3297B086002	0..400 bar	\$231.00	B
P3297B087001	P3297B087002	0..600 bar	\$231.00	B

Model P3278



OEM Pressure Sensor with internal diaphragm			
Model	Description	Price	
P3297P415220	Pressure Transmitter 0..150psi, 1/4"NPT, 0-5V output 3 wire output, accuracy 1% Full scale, with 2m lead. IP67, Temp Medium Range 0-80degC, 316 S/S body.	\$260.00	B
P3297B075520	Pressure Transmitter 0..10 bar OEM, S/S, 1..5V, 3 wire output, accuracy 1% Full scale, DIN plug elect connection, G1/4"BSPP process connection. 316 S/S body. Temp -30C +100C.	\$231.00	B



Datasheet DE7000

Model P3278 heavy duty 4..20mA output, G1/2"BSPP conn. S/S, 0.5% full scale accuracy, 316S/S weed parts. c/w 5 Point Test Report			
P3278B016001	-1..0 bar Vacuum	\$513.70	B
P3276B063001	0..0,1 bar	\$513.70	B
P3278B066001	0..0.4bar	\$456.30	B
P3278B067001	0..0,6 bar	\$456.30	B
P3278B069001	0..1 bar	\$456.30	B
P3278B070001	0..1,6 bar. 5 Point Test Report	\$456.30	B
P3278B072001	0..2,5 bar. 5 Point Test Report	\$456.30	B
P3278B073001	0..4 bar. 5 Point Test Report	\$456.30	B
P3278B074001	0..6 bar. 5 Point Test Report	\$456.30	B
P3278B075001	0..10 bar.5 Point Test Report	\$456.30	B
P3278B076001	0..16 bar. 5 Point Test Report	\$456.30	B
P3278B078001	0..25 bar. 5 Point Test Report	\$456.30	B
P3278B079601	0..40 bar. 5 Point Test Report	\$456.30	B
P3278B080601	0..60 bar. 5 Point Test Report	\$456.30	B
P3278B081601	0..100 bar. 5 Point Test Report	\$456.30	B
P3278B082601	0..160 bar. 5 Point Test Report	\$456.30	B
P3278B084601	0..250 bar. 5 Point Test Report	\$456.30	B
P3278B086601	0..400 bar. 5 Point Test Report	\$456.30	B
P3278B087601	0..600 bar. 5 Point Test Report	\$456.30	B
P3278B088601	0..1000 bar. 5 Point Test Report	\$456.30	B
P3278B089601	0..1600 bar. 5 Point Test Report	\$456.30	B



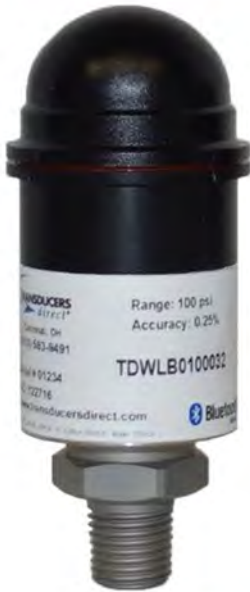
Adjustable Pressure Switches			
E1999X100001	Attachable LCD digital indicator without contacts, LCD4 digit display, accuracy +/-0.2% +/-1 digit, freely programmable range adjustment, 4..20mA signal sensors, power supply from loop current. Datasheet DE733.	\$426.00	B
GTSX500001	Panel Mount LED indicator, 4 digit, freely programmable range adjustment, 2 transistor output n switching, accuracy +/-0.2% +/-1 digit, sensor signal 0..20mA, 4..20mA, 0..1VDC, 0..10VDC. Datasheet DE733.	\$410.00	B

## Model TDWLB by Bluetooth®

The first Blue tooth certified wireless pressure transducer with long battery life and patent pending design makes the Transducers Direct CirrusSense™ TDWLB a perfect fit for many applications for Industrial and Home Automation.

Download the free app, install the transducer and wirelessly connect - no confusing wiring to figure out. From HVAC in marine, campers, motor-homes, residential and commercial applications to water, hydraulic, irrigation, pools, medical and sprinkler systems or anywhere you need to monitor pressure without the need of wires.

### GEN 2



GEN 1 Battery

GEN 2 Battery



### Bluetooth Pressure Transducer

#### GEN2

1/4"NPT	1/4"BSPP	Range	Price	
TDWLB-0050-034	TDWLB-0050-134	50 psi	\$425.00	B
TDWLB-0100-034	TDWLB-0100-134	100psi	\$425.00	B
TDWLB-0250-034	TDWLB-0250-134	250psi	\$425.00	B
TDWLB-0500-034	TDWLB-0500-134	500psi	\$425.00	B
TDWLB-0650-034	TDWLB-0650-134	650psi	\$425.00	B
TDWLB-1000-034	TDWLB-1000-134	1000psi	\$425.00	B
TDWLB-3000-035	TDWLB-3000-135	3000psi	\$425.00	B
TDWLB-5000-034	TDWLB-5000-134	5000 psi	\$425.00	B
TDWLB-010K-034	TDWLB-010K-134	10,000 psi	\$425.00	B
TDWLB-G2-BAT		GEN 2 Battery	\$45.00	C

#### GEN1

TDWLB-100-0050-13	Bluetooth 50 psi, 1/4"BSPP thread	<b>CLEARANCE</b>	\$297.50	B
TDWLB-100-0100-13	Bluetooth 100 psi, 1/4"BSPP thread	<b>CLEARANCE</b>	\$297.50	B
TDWLB-100-0250-13	Bluetooth 250 psi, 1/4"BSPP thread	<b>CLEARANCE</b>	\$297.50	B
TDWLB-100-0500-13	Bluetooth 500 psi, 1/4"BSPP thread	<b>CLEARANCE</b>	\$297.50	B
TDWLB-100-0650-13	Bluetooth 650 psi, 1/4"BSPP thread	<b>CLEARANCE</b>	\$297.50	B
TDWLB-100-1000-13	Bluetooth 1000 psi, 1/4"BSPP thread	<b>CLEARANCE</b>	\$297.50	B

#### Adapters

SI/GA-F4G-M4-10K-H	316 S/S Adapter, G1/4"BSPP Female, 1/4"NPT Male, 10K pressure rated	\$36.40	B
--------------------	---	---------	---

#### Bluetooth Test Kits

You can also order the [Bluetooth Pressure Transmitters in Kit Form](#). Fully customizable kit, you choose how many transmitters you want (up to 6), what accuracy you need, what adapters you want for the transmitters, and what tablets you would like, Apple or Samsung.

## Bi-Metal Temperature Switches by **tecsis®**

Temperature switches are used in monitoring and controlling of heating, and cooling circuits in machines, and cooling circuits in machines, compressors and engines.



### Bi-Metal Temperature Switch, 1/8" NPT

GTSTS-038-NC-20mm	Switch point 38degC normally closed, 20mm - probe length	\$92.60	B
GTSTS-038-NO-20mm	Switch point 38degC normally open, 20mm - probe length	\$92.60	B
GTSTS-050-NC-15mm	Switch point 50degC normally closed, 1/8" NPT - with boot	\$92.60	B
GTSTS-050-NO-15mm	Switch point 50degC normally open, 1/8" NPT - with boot	\$92.60	B
GTSTS-060-NC-15mm	Switch point 60degC normally closed, 1/8" NPT - with boot	\$92.60	B
GTSTS-060-NO-15mm	Switch point 60degC normally open, 1/8" NPT - with boot	\$92.60	B
GTSTS-070-NO-15mm	Switch point 70degC normally open, 1/8" NPT - with boot	\$92.60	B
GTSTS-075-NC-15mm	Switch point 75degC normally closed, 1/8" NPT - with boot	\$92.60	B
GTSTS-075-NO-15mm	Switch point 75degC normally open, 1/8" NPT - with boot	\$92.60	B
GTSTS-080-NO-15mm	Switch point 80degC normally open, 1/8" NPT - with boot	\$92.60	B
GTSTS-085-NC-15mm	Switch point 85degC normally closed, 1/8" NPT - with boot	\$92.60	B
GTSTS-085-NO-15mm	Switch point 85degC normally open, 1/8" NPT - with boot	\$92.60	B
GTSTS-095-NC-15mm	Switch point 95degC normally closed, 1/8" NPT - with boot	\$92.60	B
GTSTS-095-NO-15mm	Switch point 95degC normally open, 1/8" NPT - with boot	\$92.60	B
GTSTS-105-NC-15mm	Switch point 105degC normally closed, 1/8" NPT - with boot	\$92.60	B
GTSTS-105-NO-15mm	Switch point 105degC normally open, 1/8" NPT - with boot	\$92.60	B
GTSTS-115-NC-15mm	Switch point 115degC normally closed, 1/8" NPT - with boot	\$92.60	B
GTSTS-125-NC-15mm	Switch point 125degC normally closed, 1/8" NPT - with boot	\$92.60	B
GTSTS-125-NC-20mm	Switch point 125degC normally closed, 1/8" NPT - with boot	\$92.60	B
GTSTS-140-NO-DI-15mm	Switch point 140degC normally open, 1/8" NPT - deutsch plug	\$92.60	B

### Adjustable Temperature Switches

GTSTAS-1-2M-C-FL	Brass Body, SPDT, 1/8" NPT, adjust range 10-149degC (differential 9-13degC), flying heads IP69, max pressure 50bar, max working temp 160degC, 5 Amp 12/24VDC	\$134.00	B
------------------	--	----------	---

### Adaptors

V320.050	Brass 1/8" NPT female - 1/4" NPT Male	\$13.40	B
V320.051	Brass 1/8" NPT female - 3/8" NPT Male	\$13.40	B
V320.052	Brass 1/8" NPT female - 5/8" UNF Male	\$13.40	B
V320.053	Brass 1/8" NPT female - 1/2" NPT Male	\$13.40	B
V320.054	Brass 1/8" NPT female - M14 Male	\$13.40	B
V320.055	Brass 1/8" NPT female - M16 Male	\$13.40	B
V320.056	Brass 1/8" NPT female - M18 Male	\$13.40	B

## Electronic Temperature Switches

Temperature switches are used in signaling, monitoring and controlling of heating, and cooling circuits in machines, compressors and engines.



Adaptors			
Model	Description	Price	
TSD30	Intelligent Temperature Switch, -50..+200 degC, G1/2" BSPP, 2x switch and 1x 4-20mA output, 12-30VDC		
MTM5581-2KA-C3-50-R5	50mm stem	\$495.00	D
MTM5581-2KA-C3-100-R5	100mm stem	\$495.00	D
MS901	MS901 2m cable RVVP with 5-pin M12X1 female right angle plug	\$25.00	C

## Temperature Transmitters by **tecsis**®

The PT Compact USB is an additional member of the **tecsis**® PT Compact Series. The measuring range can be programmed according to customer demands with specially developed software.

GTS programmable range from -50°C to +200°C. (minimum span of 35°C) and high temperature model for temperatures up to +600°C, which includes a 100mm neck tube.



TE2	Description	Price	
TE2-1.3.1050.0050.0	Temp. trans., 4-20mA output, 50mm stem, G1/2" BSPP	\$325.00	B
TE2-1.3.1050.0100.0	Temp. trans., 4-20mA output, 100mm stem, G1/2" BSPP	\$325.00	B
ZPT4-51465.0070	ZPT4 Thermowell, IC - G1/2F, PC - 1/2" BSPT. 316S/S. Sensor diameter 06mm (outside 10mm). Length 70mm. Suits TE2 transmitter.	\$155.00	B
ZPT4-51465.0120	ZPT4 Thermowell, IC - G1/2F, PC - 1/2" BSPT. Sensor diameter 06mm (outside 10mm). Length 100mm. Suits TE2 transmitter.	\$155.00	B



TEU	Description	Price	
TEU11X221040	Temp. trans., 4-20mA output, 160mm stem, G1/2" BSPP <b>CLEARANCE</b>	\$225.00	C
TEP11X321026-A	Temp Transmitter PT Compact Plus 0-100degC, 4-20mA output, 65mm stem, 1/2" BSPP connection <b>CLEARANCE</b>	\$225.00	C

V Shaped Machine Thermometers by **teccis®**



Model	Description	Price	
T4202C409001	V' Shaped Thermometer 0-120degC, 110mm, brass, G1/2"BSPP bottom connection, 40mm stem length	\$96.00	B
T4232C410002	V' Shaped Thermometer 0-160degC, 150mm, brass, G1/2"BSPP bottom connection, 63mm stem length	\$117.40	B
T4232C411002	V' Shaped Thermometer 0-200degC, 150mm, brass, G1/2"BSPP bottom connection, 63mm stem length	\$117.40	B
T4232C409003	V' Shaped Thermometer 0-120degC, 150mm, brass, G1/2"BSPP bottom connection, 100mm stem length	\$117.40	B
T4242C408002	V- Shaped Thermometer 0-100degC, 150mm x 36mm, brass, G1/2"BSPP rear connection, 63mm REAR stem length	\$117.40	B
T4242C409003	V- Shaped Thermometer 0-120degC, 100mm x 36mm, brass, G1/2"BSPP rear connection, 100mm REAR stem length.	\$117.40	B
T4780C409030	Temperature Gauge 60mm, 0...+120degC, panel mounng with clamp, 2x change - over switches fixed at 100°C & 115°C, 3m capillary, male nut with thermowell, G1/2"BSPP, 5 mm inseron length.	\$532.50	B

Temperature Gauges by **teccis®**



Bimetal Thermometers			
TM187C403002	Temperature Gauge 80mm dial, -30..+50degC, 60mm stem G1/2"BSPP rear conn. c/w thermowell	\$62.10	A
TM187C409002	Temperature Gauge 80mm dial, 0..120degC, 60mm stem G1/2"BSPP rear conn. c/w thermowell	\$45.10	A
TM188C411003	Temperature Gauge 100mm dial, 0..200degC, 100mm stem G1/2"BSPP rear conn. c/w thermowell	\$94.40	A
TBI080-262.142.11T	Temp 60degC stem 100mm	\$195.00	B
TBI080-262.142.52T	Temp -20..40degC stem 100mm	\$195.00	B
TM207C110511	Temperature Gauge 80mm dial, -10..+110degC, 63mm stem x6mm stem, G1/2"BSPP	\$126.40	B
TM207C410021	Temperature Gauge 80mm dial, 0..160degC, 63mm x8mm stem, G1/2"BSPP rear conn. c/w	\$126.40	B
TC13T0026	Thermowell to suit 63mm Bi-metal, 1/2"NPT Inst connection & 1/2"BSPT Process connection, Tapered Stem	\$79.00	C
TM208C412513	Temperature Gauge 100mm dial, 0..250degC, 500mm x8mm stem, 1/2"BSPP sliding rear conn	\$236.40	B
TM208C412514	Temperature Gauge 100mm dial, 0..250degC, 300mm x8mm stem, 1/2"BSPT sliding rear conn	\$226.90	B





### Product highlights

- Safe detection of liquids, bulk solids and powders
- Short immersion length
- Excellent cleanability
- Capable of differentiation between foam and liquid
- Insensitive to adherent or sticky media
- Status indication by bright, multicolor LED
- Compact stainless steel housing, protection up to IP69K
- Teach-in on site or by remote control wire
- Two switching outputs with dedicated switching windows

### User benefits

- One sensor for all applications
- Less disturbance of process
- Safe process with less downtime
- Visual observation of process
- Long life time even in wash-down areas
- High acceptance of process connections
- Easy to operate

### Technical data

#### Housing

Style	▪ Compact design
Overall size	▪ Refer to section „Dimensional drawings“
Material	▪ Stainless steel

#### Electrical connection

Connector variants	▪ M12-A, 4-pin, polycarbonate
--------------------	-------------------------------

#### Ambient conditions

Operating temperature range	▪ -40 ... 85 °C
Storage temperature range	▪ -40 ... 85 °C
Humidity	▪ < 98 % RH, condensing
Degree of protection (EN 60529)	▪ IP67 ▪ IP69K (with appropriate cable)
Vibration (sinusoidal) (EN 60068-2-6)	▪ 1.6 mm p-p (2 ... 25 Hz), 4 g (25 ... 100 Hz), 1 octave / min.

#### Process connection

Connection variants	▪ Refer to section „Dimensional drawings“
Mounting position	▪ Any (top, bottom, side)
Wetted parts material	▪ PEEK Natura ▪ AISI 316L (1.4404)
Surface roughness wetted parts	▪ Ra < 0.8 µm

#### Process conditions

Process temperature	▪ Refer to section „Process conditions“
Process pressure	▪ Refer to section „Process conditions“

#### Power supply

Voltage supply range	▪ 8 ... 36 V DC
Current consumption (no load)	▪ 25 mA typ., 50 mA max.

#### Power supply

Reverse polarity protection	▪ Yes
Power-up time	▪ < 3 s

#### Output signal

Output type	▪ PNP ▪ NPN ▪ Digital (push-pull)
Current rating	▪ 100 mA max.
Short circuit protection	▪ Yes
Voltage drop	▪ PNP: (+Vs -0.5 V) ± 0.2 V, Rload ≥ 10 kΩ ▪ NPN: (+0.4 V) ± 0.2 V, Rload ≥ 10 kΩ
Off leak current	▪ < 100 µA max.
Switching logic	▪ Normally open (NO) ▪ Normally closed (NC) ▪ Active high ▪ Active low

#### Performance characteristics

Repeatability	▪ ± 1 mm
Hysteresis	▪ ± 1 mm
Response time	▪ 0.02 s typ.
Media characteristics	▪ DK > 1.5
Damping	▪ 0.0 ... 10.0 s (adjustable)

#### Factory settings

Switching range (dielectric constant DC)	▪ < 75 % (DC > 2)
Damping	▪ 0.1 s

#### Compliance and approvals

EMC Immunity	▪ EN 61326
EMC Emission	▪ EN 61326 (installed in a metal tank)
Hygiene	▪ FDA (21 CFR 177.2416)



### Special Features

- Wetted parts in stainless steel and PEEK
- Compact design
- Precise switching point with no requirement for calibration
- Process temperature -40... 115 °C
- Measures media with DK-values >1.5 (DK = Dielectrical Constant)
- LED switch indicator
- Maintenance free
- Suitable for media separation
- Configurable by FlexProgrammer 9701
- ATEX approval for gas and dust
- WHG (pending)



### Technical Data

<b>Sensor</b>		<b>Approval Ex ia IIC T5, ATEX II 1G</b>	
Radiated signal	100...180 MHz	Supply range	24...30 VDC
Process connection	Refer to dimensional drawings	Temperature class	T1...T4: -40 < T <sub>amb</sub> < 85 °C T1...T5: -40 < T <sub>amb</sub> < 74 °C
Insulating material	PEEK	<b>Approval Ex ta IIIC T100 Da, ATEX II 1D</b>	
<b>Mechanical data</b>		Supply range	12...30 VDC
Housing	Stainless Steel	Temperature class	T100 °C: -40 < T <sub>amb</sub> < 85 °C
Amb. temperature	-40...85 °C	<b>Approval Ex nA II T5, ATEX II 3G</b>	
Process temperature	-40...115 °C	Supply range	12,5...30 VDC
Protection class	IP67 (IEC 529)	Temperature class	T1...T5: -40 < T <sub>amb</sub> < 85 °C
Media pressure	Max. 100 bar	<b>Output</b>	
Vibrations	IEC 60068-2-6, GL test2	Output (active)	Max. 20 mA, short-circuit and high-temperature protected
Installation	Any position	Output type	PNP or NPN
<b>Electrical connection</b>		Output polarity	NO and NC
Cable	5 meter, 4 wire	Active "High"	PNP (VDC -1.5V) ± 0.5V ; Rload 10 kOhm
Plug M12	Plastic or Stainless steel 304	Active "Low"	NPN (-VDC +1.5V) ± 0.5V ; Rload 10 kOhm
<b>Other electrical data</b>		Off leak current	± 100µA Max.
Power supply	12...30 VDC, 35 mA max.	<b>Factory Settings</b>	
Damping	0...10 sec.	Damping	0.1 sec.
Power-up time	<2 sec.	<b>Approvals/conformities</b>	
Hysteresis	± 1 mm	Approvals/conformities	DNV Marine Approval EN 50155 Railway 3A, EHEDG, FDA, WHG (pending)
Repeatability	± 1 mm		
Reaction time	0.1 sec. (100 mS)		
<b>Disposal of product and packing</b>			
According to national laws or by returning to Baumer			
<b>EMC data and packing</b>			
Immunity	EN 61326		
Emission	EN 61326		
<b>EMC data and packing</b>			
Internal inductivity	L <sub>i</sub> ≤ 10 µH		
Internal capacity	C <sub>i</sub> < 43 nF		

### Product line overview.

Flow meters

Level Gauges and Switches

Hand Held Tachometers

Pressure Gauges

Accessories

Force

Pressure Switches and  
Transmitters

Temperature

**HOLDFAST**  
FLUID POWER

1300 HOLDFAST



### HOLDFAST Fluid Power.

657 Dundas Rd Forreestfield 6058 WA  
10/274 Port Dve Broome WA 6725 1/27  
Dooley St Naval Base WA 6165

Phone 1300 HOLDFAST  
Fax 08 9359 1792  
sales@holdfastaust.com.au  
www.holdfastaust.com.au

### Australian Agent For.



# **HOLDFAST**

**FLUID POWER**

***Forrestfield***

657 Dundas Road,  
Forrestfield WA 6058

Phone: 1300 HOLDFAST  
Phone: (08) 9359 1795  
Fax: (08) 9359 1792  
Email: [sales@holdfastaust.com.au](mailto:sales@holdfastaust.com.au)

***Broome***

10/274 Port Drive,  
Broome WA 6725

Phone: 1300 HOLDFAST  
Phone: (08) 9192 6007  
Fax: (08) 9192 6067  
Email: [salesnw@holdfastaust.com.au](mailto:salesnw@holdfastaust.com.au)

***Naval Base***

1/27 Dooley Street  
Naval Base WA 6165

Phone: 1300 HOLDFAST  
Phone: (08) 9410 0716  
Fax: (08) 9410 1152  
Email: [sales2@holdfastaust.com.au](mailto:sales2@holdfastaust.com.au)

**1300 HOLDFAST**