

2 Piece Threaded Full Port Ball Valves: 1/2" - 3"



Series 85

Flow-Tek's Series S85 ball valves have been designed for ease of automation. Standard 2-piece valve bodies are investment cast Stainless Steel, solution annealed for the highest quality and added strength. All body castings are marked with a foundry heat number for full traceability.

These valves offer quarter turn operation and low operating torque. The S85 features live-loaded, self-adjusting stem seals that automatically adjust packing to

compensate for changes in wear and temperature. Other features include replaceable seats and seals, anti-static devices, blowout proof stems, and stainless steel safety latch handles.

Secure Mount The Series S85 features Flow-Tek's Secure Mount integrally cast actuator mounting pad. The Secure Mount fully complies with ISO 5211, ensuring positive alignment and interchangeability of the actuator.

Pressure Rating 1000 psi WOG

Steam Rating 150 psi WSP

Temperature Range

-50°F to +450°F

-46°C to +232°C

End Connections Threaded - NPT

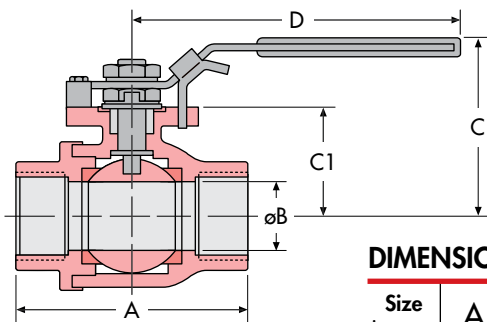
Body Material Stainless Steel

Technical Data

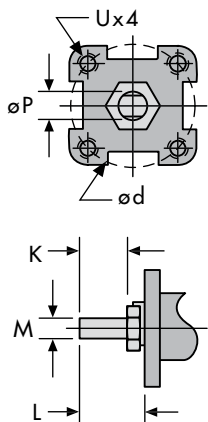
COMPONENTS AND MATERIALS

Item	Name	Material	Qty.
1	Body	ASTM A351 Gr CF8M	1
2	End Cap	ASTM A351 Gr CF8M	1
3	Ball	ASTM A351 Gr CF8M	1
4	Seat*	RPTFE	2
5	Stem	ASTM A479 Type 316	1
6	Body Seal*	RPTFE	1
10	Anti-Static Device	SS304	2
11 A/B	Thrust Bearing*	PEEK	1/1
12	Thrust Washer*	50% PTFE + 50% 316	1
14	Stem Packing*	PTFE/RPTFE	4
15	Packing Gland	SS304	1
18	Belleville Washer	SS301	2
19	Tab Lock Washer	SS304	1
23	Stop Set Sleeve	SS304	1
24	Stop Bolt	SS304	1
25	Handle	SS304	1
26	Nut	SS304	2
28	Handle Sleeve	Vinyl	1
29	Locking Device	SS300	1

*Parts included in the repair kits



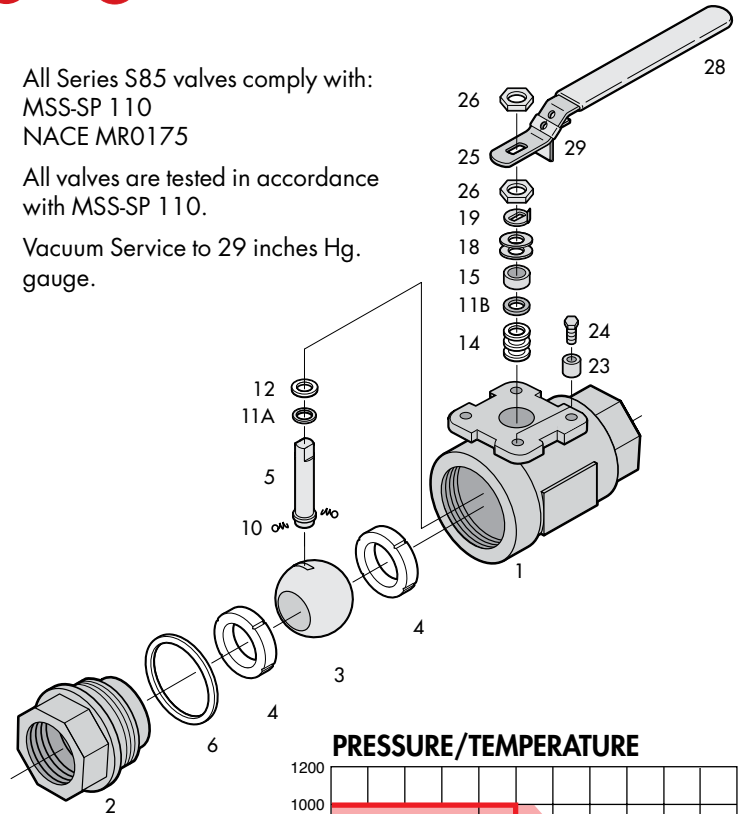
Verify mounting dimensions before manufacturing mounting hardware.



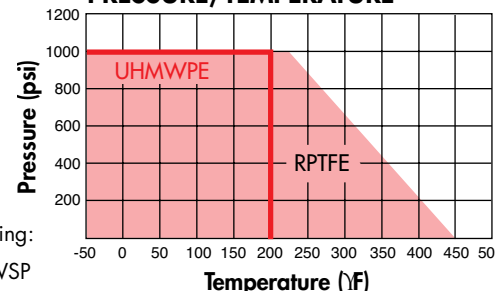
All Series S85 valves comply with:
MSS-SP 110
NACE MR0175

All valves are tested in accordance with MSS-SP 110.

Vacuum Service to 29 inches Hg. gauge.



PRESSURE/TEMPERATURE



DIMENSIONS AND WEIGHTS

Size ins mm	A	øB Port	C	C1	D	ød	K	L	M	øP	U UNC	C _v	Torque Weight	
													lbs-in* Nm	lbs kg
1/2	2.56	0.59	2.52	1.13	6.50	1.65	0.35	0.65	0.25	0.37	#10-24	38	60	65
15	65	15	64	28.7	165.1	42	9	16.5	6.4	9.4	#10-24	38	7	0.3
3/4	2.99	0.79	2.80	1.40	6.50	1.65	0.35	0.65	0.25	0.37	#10-24	66	96	1.45
20	76	20.1	71	35.5	165.1	42	9	16.5	6.4	6.4	#10-24	66	11	0.7
1	3.46	0.98	3.11	1.61	7.87	1.97	0.55	0.87	0.32	0.43	1/4"-20	105	140	2.36
25	87.9	25	79	41	200	50	14	22	8	10.9	1/4"-20	105	16	1.1
1 1/4	3.82	1.26	3.66	2.16	7.87	1.97	0.55	0.97	0.32	0.43	1/4"-20	190	195	3.50
32	97	32	93	54.95	200	50	14	20	8	10.9	1/4"-20	190	22	1.6
1 1/2	4.33	1.50	3.94	2.28	9.84	2.76	0.59	1.02	0.37	0.62	5/16"-18	275	315	4.85
40	110	38.1	100.1	58	249.9	70	15	26	9.5	15.8	5/16"-18	275	36	2.2
2	5.28	2.00	4.25	2.60	9.84	2.76	0.59	1.02	0.37	0.62	5/16"-18	480	510	7.30
50	134.1	50.8	108	66	249.9	70	15	26	9.5	15.8	5/16"-18	480	58	3.3
2 1/2	6.18	2.56	5.00	3.39	9.65	4.02	0.75	1.14	0.47	0.75	5/16"-18	797	800	13.5
65	157	65	127	86	245.1	102	19	29	12	19.1	5/16"-18	797	91	6.1
3	7.52	2.99	5.71	3.94	5.98	4.02	0.88	1.28	0.47	0.75	5/16"-18	1150	1100	25.3
80	191	76	145	100	151.9	102	22.4	32.5	32.5	11.9	5/16"-18	1150	125	11.5

*Based on RPTFE seats at full rated pressure.



Flow-Tek

A Subsidiary of BRAY INTERNATIONAL, Inc.
8323 N. Eldridge Pkwy #100 Houston, Texas 77041
832.912.2300 Fax: 832.912.2301
www.flow-tek.com

All statements, technical information, and recommendations in this bulletin are for general use only. Consult Flow-Tek representatives or factory for the specific requirements and material selection for your intended application. The right to change or modify product design or product without prior notice is reserved.

Flow-Tek® is a registered trademark of Flow-Tek, Inc.
© 2012 Flow-Tek, Inc.
F-2200_EN_S85_2012-07

HOLDFAST

FLUID POWER

Forrestfield

657 Dundas Road,
Forrestfield WA 6058

Phone: 1300 HOLDFAST
Phone: (08) 9359 1795
Fax: (08) 9359 1792
Email: sales@holdfaust.com.au

Broome

10/274 Port Drive,
Broome WA 6725

Phone: 1300 HOLDFAST
Phone: (08) 9192 6007
Fax: (08) 9192 6067
Email: salesnw@holdfaust.com.au

Naval Base

1/27 Dooley Street
Naval Base WA 6165

Phone: 1300 HOLDFAST
Phone: (08) 9410 0716
Fax: (08) 9410 1152
Email: sales2@holdfaust.com.au

1300 HOLDFAST